



Owner's manual

(Original instructions)
Pedestrian-controlled lawnmowers

Manual de explicaciones

(Instruzioni originali)
Tosaerba

Manuel d'utilisateur

(Notice originale)
Tondeuse à gazon

Gebruiksaanwijzing

(Oorspronkelijke gebruiksaanwijzing)
Grasmaaier

Bedienungsanleitung

(Originalbetriebsanleitung)
Rasenmäher

Manual dell'utente

(Manual original)
Cortadora de césped



DESCRIPTION BESCHREIBUNG OVERZICHT

DESCRIPTION DESCRIZIONE DESCRIPCIÓN

EN

1. Grass catcher
2. Height adjusting lever
3. Fuel shut-off valve
4. Air cleaner
5. Spark plug
6. Muffler
7. Oil filler/oil change plug
8. Fuel tank cap
9. Discharge guard
10. Recoil starter handle
11. Cutting-means control lever and mark (*Starts and stops the cutting means*)
12. Drive clutch lever and mark (*Transmission control which drives the rear wheels*) (SKEA, SKEX types only)
13. Mulching plug (SKEX type only, optional part for SKEA types)
- A. Identification of the machine (see p. 8)

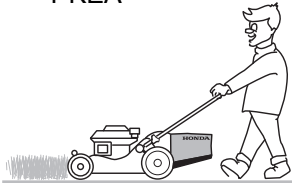
FR

1. Sac à herbe
2. Réglage de hauteur de coupe
3. Robinet d'essence
4. Filtre à air
5. Bougie
6. Pot d'échappement
7. Bouchon de remplissage/vidange d'huile
8. Bouchon de réservoir d'essence
9. Pare-pierres
10. Poignée de lanceur moteur
11. Levier de frein de lame
12. Levier d'embrayage d'avancement
13. Bouchon mulching
- A. Identification de la machine (voir p. 9)

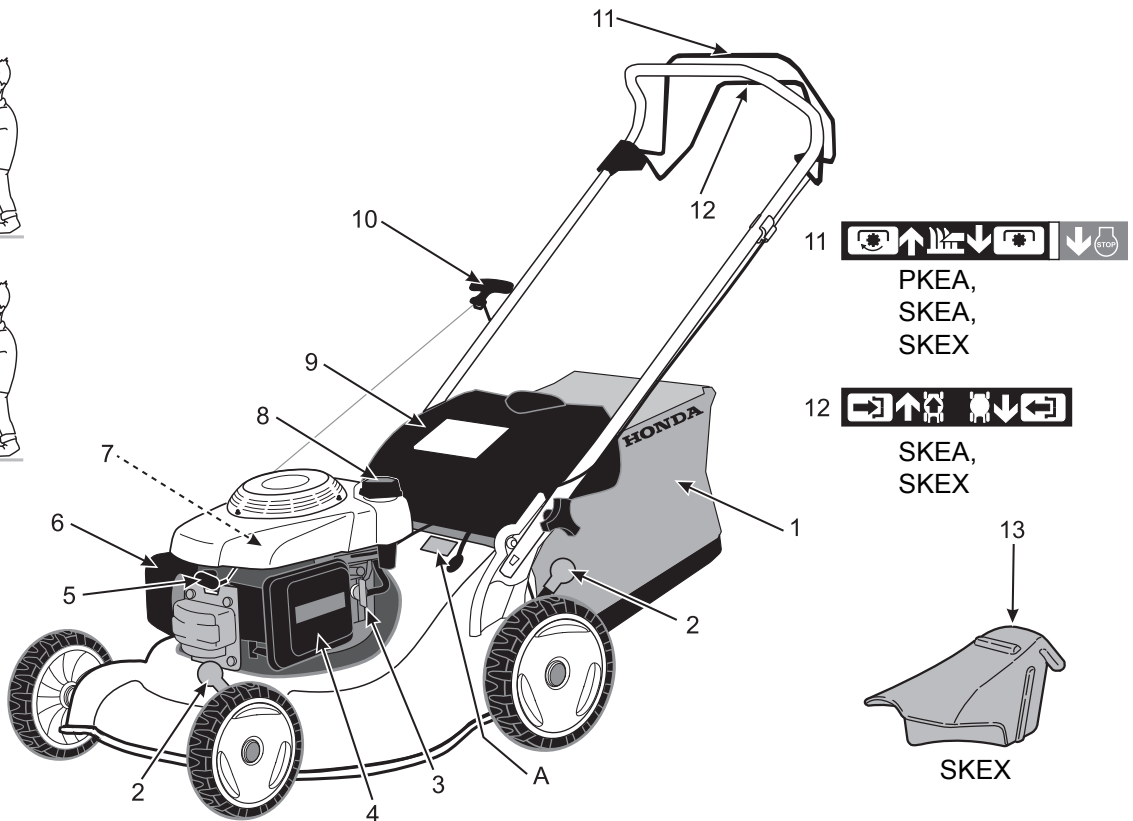
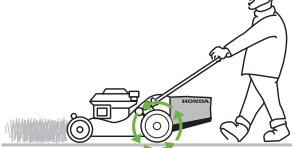
DE

1. Grassack
2. Hebel zur Einstellung der Schnitthöhe
3. Kraftstoffhahn
4. Luftfilter
5. Zündkerzenwechsel
6. Auspuff
7. Stopfen für Einfüllen und Wechseln des Öls
8. Einfüllstutzen für den Kraftstoff
9. Auswurfdeckel
10. Griff des Starterseilzugs
11. Messerkupplungshebel
12. Fahrtriabshebel
13. Stecker mulching
- A. Typenschild der Maschine (siehe Seite 10)

PKEA



SKEA,
SKEX



IT

1. Sacco di raccolta
2. Leve di regolazione dell'altezza di taglio
3. Rubinetto carburante
4. Filtro dell'aria
5. Candela di accensione
6. Marmitta di scarico
7. Tappo di riempimento/scarico olio
8. Tappo di riempimento del carburante
9. Protettore anti-scarica
10. Maniglia di avviamento con ritorno automatico
11. Leva bloccaggio lama
12. Leva di innesto di avanzamento
13. Tappo mulching
- A. Identificazione della macchina (vedi p. 11)

NL

1. Graszak
2. Maaihoogtehendel
3. Benzinekraan
4. Luchtfilter
5. Bougie
6. Uitlaat
7. Olietankdop
8. Dop benzinetank
9. Uitwerpkap
10. Handgreep startkoord
11. Maaimeskoppeling
12. Aandrijvingskoppelingshefboom
13. Dop mulching
- A. Typeplaat (zie blz 12)

ES

1. Bolsa de recogida
2. Palancas de reglaje de la altura de contel
3. Llave de carburante
4. Filtro de aire
5. Bujía de encendido
6. Tubo de escape
7. Tapón de llenado/vaciado de aceite
8. Tapón de llenado de carburante
9. Protector de descarga
10. Agarradera de lanzador con retroceso automático
11. Blade brake lever
12. Palanca de embrague de avance
13. Tapón mulching
- A. Identificación de la máquina (véase p. 13)

USE UTILISATION BETRIEB

USO WENKEN UTILIZACI3N



EN

This symbol means caution during certain operations. Please refer to the safety instructions on page 8, and to the corresponding paragraph shown under the symbol on the left side of the illustrations.

FR

Ce symbole attire l'attention sur les précautions à prendre lors de certaines opérations. Prière de se référer aux consignes de sécurité à l'apage 9 ainsi qu'au paragraphe correspondant, indiqué en-dessous du symbole sur le côté gauche de l'illustration.

DE

Dieses Symbol bedeutet, dass bei gewissen Maßnahmen mit "Vorsicht" vorzugehen ist. Beachten Sie hierzu bitte die Sicherheitsanweisungen auf Seite 10 und den Abschnitt der Anleitung, auf den unter dem Symbol auf der linken Seite der Abbildungen verwiesen wird.

IT

Questo simbolo significa "attenzione" durante un intervento. Ved. pag. 11 - Istruzioni per la sicurezza - ed ai paragrafi riportati sotto il simbolo, lato sinistro dell'illustrazione.

NL

Dit symbool maant tot voorzichtigheid bij het uitvoeren van bepaalde handelingen. Zie de veiligheidsinstructies op blz 12 en de bijbehorende paragraaf onder het symbool in links van de illustraties.

ES

Este simbolo significa ¡atención! durante ciertas operaciones. Consulte las instrucciones de seguridad de la página 13) y el párrafo correspondiente que aparece con el símbolo a la izquierda de las ilustraciones.



Engine oil
SAE 10W30/15W40/20W50, API SF/SG
(see p. 6)

Huile moteur
SAE 10W30/15W40/20W50, API SF/SG
(voir p. 6)

Motoröl
SAE 10W30/15W40/20W50, API SF/SG
(siehe Seite 6)

Olio motore
SAE 10W30/15W40/20W50, API SF/SG
(vedi p. 6)

Motor olie
SAE 10W30/15W40/20W50, API SF/SG
(zie blz 6)

Aceite motor
SAE 10W30/15W40/20W50, API SF/SG
(véase p. 6)



Fuel
86 Octane rating or higher
(Unleaded)

Essence
Indice d'Octane de 86 ou plus
(Sans plomb)

Benzin
86 Oktan oder mehr
(vorzugsweise bleifrei)

Carburante
86 ottani o maggiore
(senza piombo)

Aanbevolen benzine
Octaangehalte 86 of hoger
(loodvrij)

Carburante
Contenido de Octano de 86 o superior
(sin plomo)



Spark plug
NGK: BPR 5ES
(see p. 6)

Bougie
NGK: BPR 5ES
(voir p. 6)

Zündkerze
NGK: BPR 5ES
(siehe Seite 6)

Candela
NGK: BPR 5ES
(vedi p. 6)

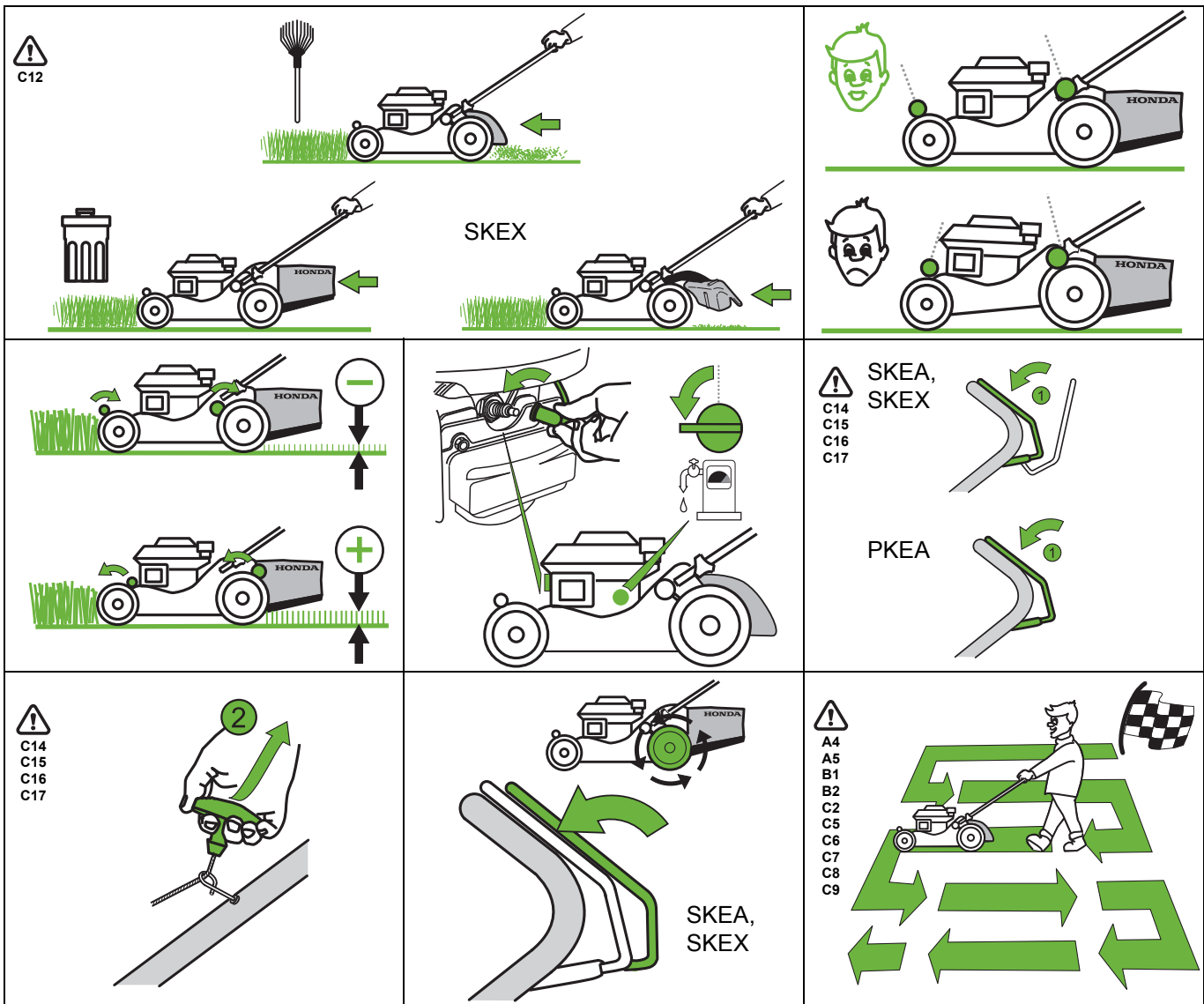
Bougie
NGK: BPR 5ES
(zie blz 6)

Bujía
NGK: BPR 5ES
(véase p. 6)

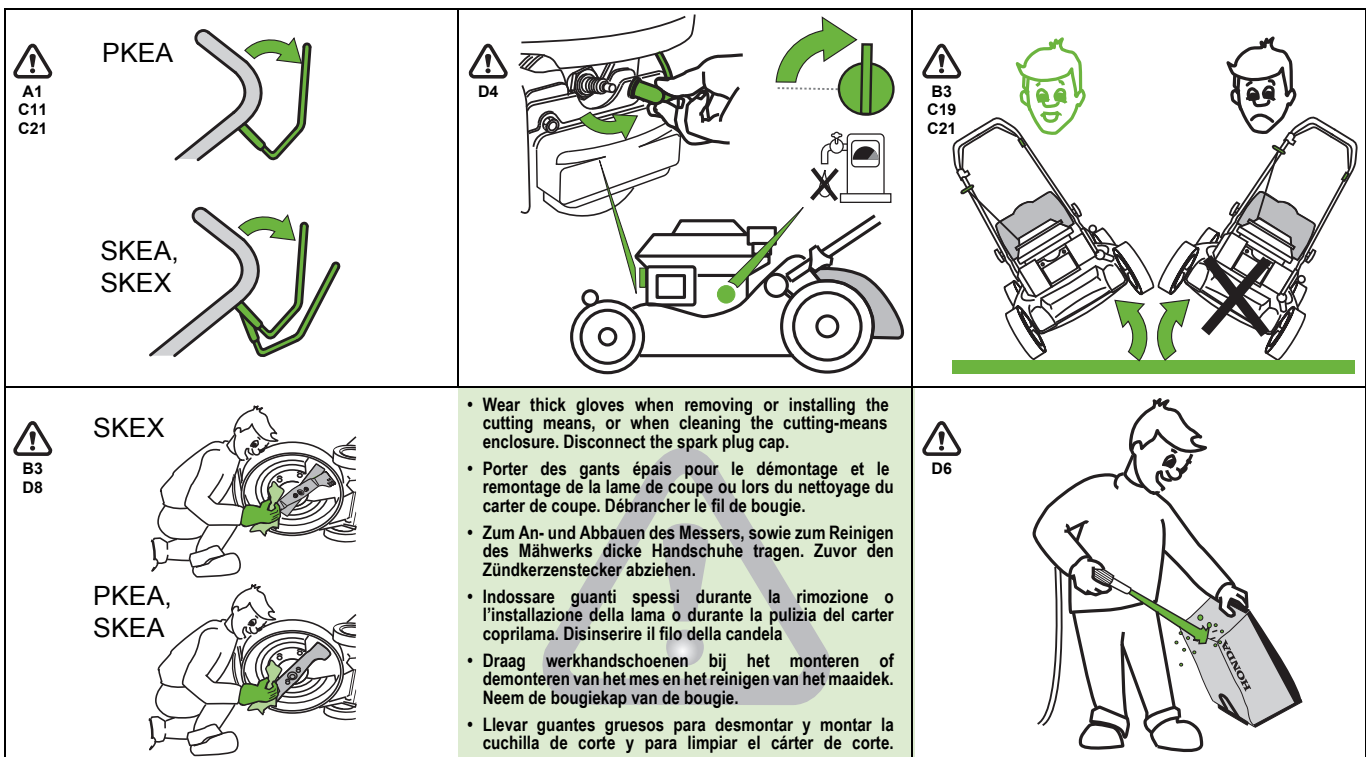
GET READY - PRÉPARATION - VORBEREITUNG - PREPARAZIONE - VOORBEREIDINGEN - PREPARACIÓN

<p>A1 B5</p>		
<p>B3 C20 D5</p>	<ul style="list-style-type: none"> • WARNING! Petrol is highly flammable. Stop the engine before refuelling. • ATTENTION : DANGER ! L'essence est hautement inflammable. Arrêter le moteur avant de faire le plein de carburant. • WARNING! Benzin ist äußerst feuergefährlich. Vor dem Tanken den Motor abstellen. • ATTENZIONE : PERICOLO ! La benzina è una sostanza altamente infiammabile. Arrestare il motore prima di fare il pieno di carburante. • WAARSCHUWING: Benzine is zeer brandbaar. Zet eerst de motor af en vul daarna benzine bij. • ¡ATENCIÓN: PELIGRO! la gasolina es altamente inflamable. Parar el motor antes de llenar el depósito de carburante. 	
		<p>D6</p>

USAGE - UTILISATION - VERWENDUNG - UTILIZZAZIONE - GEBRUIK - USO



Stop - Arrêt - Stopp - Arresto - Uit - Parada



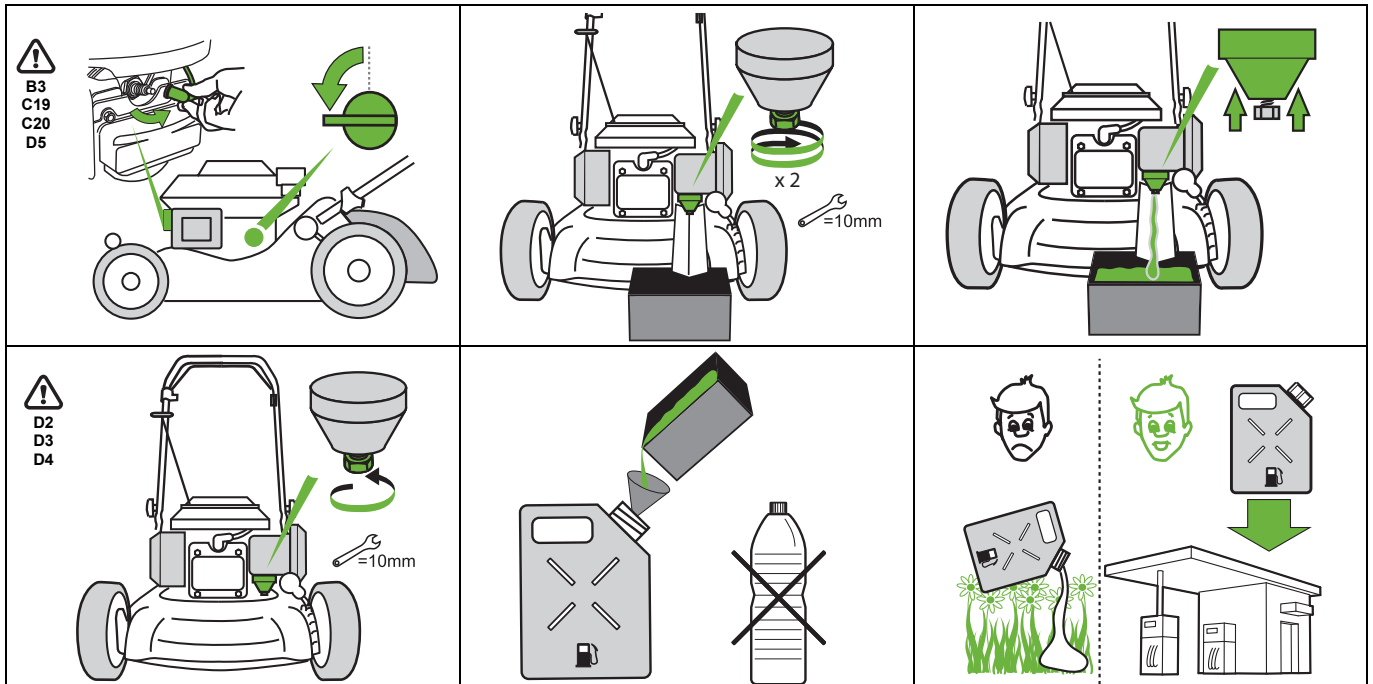
STORAGE LAGERUNG WINTERBERGING

REMISAGE CUSTODIA ALMACENAMIENTO

- Carry out the following operations to protect the lawnmower each time it is to be stored for a period of more than 30 days.
- Procéder aux opérations suivantes, afin de protéger la tondeuse chaque fois qu'elle doit être remise pour une période de plus de 30 jours.
- Wenn der Rasenmäher länger als 30 Tage nicht benützt wird, zum Schutz der Bauteile folgende Wartung durchführen.

- Eseguire le seguenti operazioni per proteggere il rasaerba ogni qualvolta dovrà essere rimesso per un periodo di oltre 30 giorni.
- Wanneer de gazonmaaier langer dan een maand niet gebruikt zal worden of voor de winter wordt weggezet, dient u de onderstaande werkzaamheden uit te voeren.
- Proceder a las operaciones siguientes, con el fin de proteger la máquina siempre que deba guardarse durante un periodo superior a 30 días.

PREPARATION - PRÉPARATION - AUßERBETRIEBSETZUNG PREPARAZIONE - VOORBEREIDINGEN - PREPARACIÓN



FUEL CONTAINING ALCOHOL

- If you intend to use fuel with alcohol, ensure that its octane number is at least as high as that recommended by Honda (86). Do not use mixtures containing more than 10% ethanol, or fuel containing methanol, which do not contain cosolvents, or corrosion inhibitors for methanol. In the case of a mixture containing methanol with addition of cosolvents and corrosion inhibitors, limit the proportion to 5% of methanol.

ESSENCE CONTENANT DE L'ALCOOL

- Si vous avez l'intention d'employer de l'essence contenant de l'alcool, assurez-vous que son indice d'octane est au moins aussi élevé que celui recommandé par Honda (86). Ne pas employer de mélange qui contienne plus de 10 % d'alcool éthylique, ni d'essence contenant de l'alcool méthylique, qui ne renferme ni cosolvants, ni inhibiteurs de corrosion pour l'alcool méthylique. Dans le cas d'un mélange contenant de l'alcool méthylique avec addition de cosolvants et d'inhibiteurs de corrosion, limiter la proportion à 5 % d'alcool méthylique.

ALKOHOLHALTIGES BENZIN

- Wenn Sie alkoholhaltiges Benzin verwenden, muß seine Oktanzahl mindestens der von Honda vorgeschriebenen entsprechen (86). Kein Gemisch mit mehr als 10% Äthylalkohol-Anteil verwenden. Kein Benzin/Methylalkohol-Gemisch ohne Zusätze oder ohne Korrosions-schutzmittel und mit mehr als 5% Methylalkohol-Gehalt verwenden.

BENZINA CONTENENTE ALCOOL

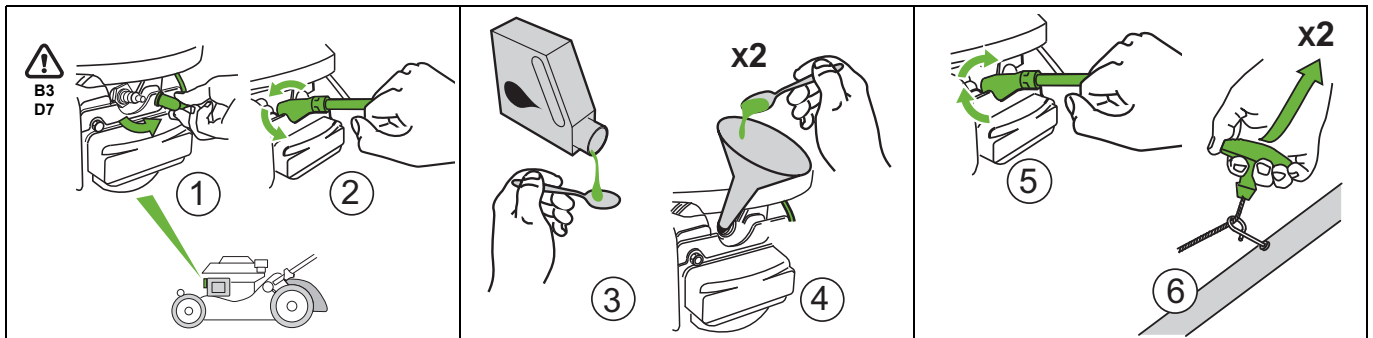
- Se si desidera utilizzare benzina contenente alcool, accertarsi che il suo numero di ottano sia almeno uguale o superiore a quello raccomandato dalla Honda (86). Non utilizzare mai miscele contenenti più del 10% di alcool etilico, né benzina contenente alcool metilico che sia sprovvista di solventi o inibitori di corrosione per alcool metilico. Nel caso di miscela contenente alcool metilico con additivazione di solventi e inibitori di corrosione, limitare la proporzione di alcool metilico al 5%.

BENZINE MET ALKOHOL

- Wanneer u een benzine/alcoholmengsel wilt gebruiken in een Honda maaier, moet het octaangetal tenminste even hoog zijn als dat, wat wij voorschrijven (86). Mengsels van het eerste soort mogen niet meer dan 10% ethylalcohol bevatten. Mengsels van het tweede soort mogen geen methylalcohol bevatten als daar geen stabilisators en corrosiewerende stoffen bijgemengd zijn. Zijn deze additieven aanwezig, dan mag het alcoholgehalte niet groter zijn dan 5%.

GASOLINA CON ALCOHOL

- Si tiene la intención de emplear gasolina con alcohol, cerciéndose de que su índice de octano es por lo menos tan elevado como él recomendado por Honda (86). No utilizar mezclas que contengan más del 10% de alcohol etílico, ni gasolina que contenga alcohol metílico, que no contenga cosolventes ni inhibidores de corrosión para el alcohol metílico. En caso de mezcla con alcohol metílico con adición de cosolventes e inhibidores de corrosión, limitar la proporción al 5% de alcohol metílico.



- To avoid any risk of fire, allow the engine to cool down and clean the lawnmower before storage.
- Pour éviter tout risque d'incendie, laisser refroidir le moteur et nettoyer la tondeuse avant le remisage.
- Zur Vermeidung jeglicher Brandgefahr vor der Aufbewahrung des Mähers dessen Motor abkühlen lassen und den Mäher reinigen.

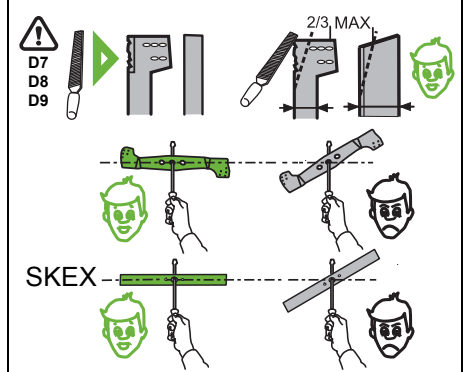
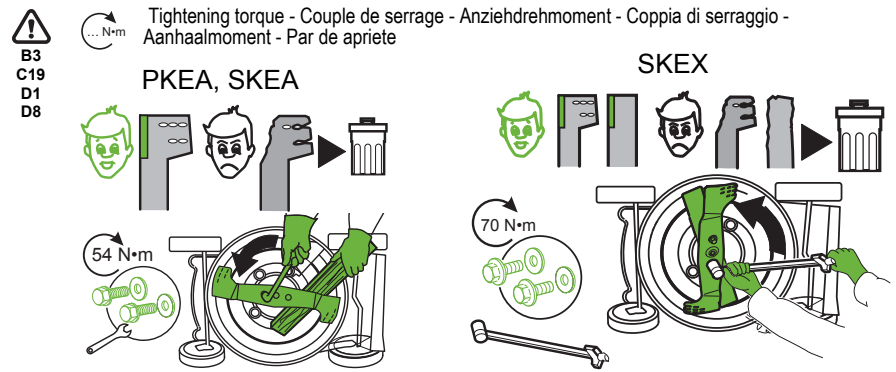
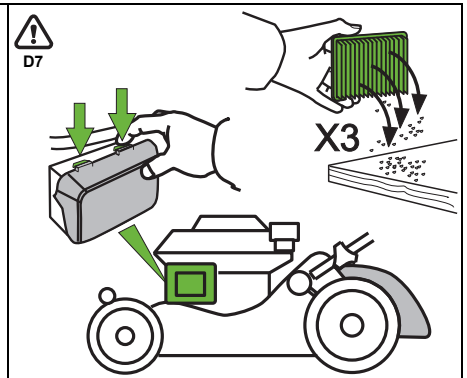
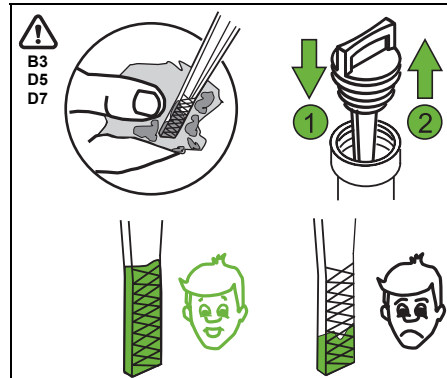
- Per evitare ogni rischio d'incendio, lasciare raffreddare il motore e pulire la macchina prima di metterla in deposito.
- Voorkom brand; laat de motor afkoelen en reinig de machine voor u hem opbergt.
- Para evitar todo riesgo de incendio, dejar enfriar el motor y limpiar el Cortadora de céped antes de guardarlo.

MAINTENANCE WARTUNGSHINWEISE ONDERHOUD

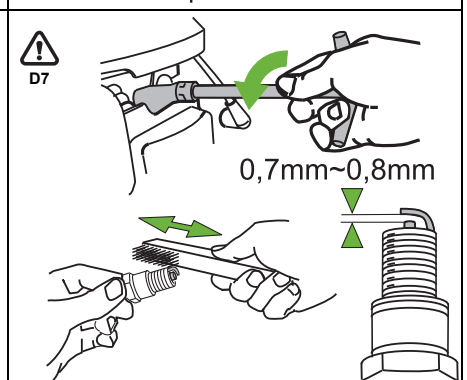
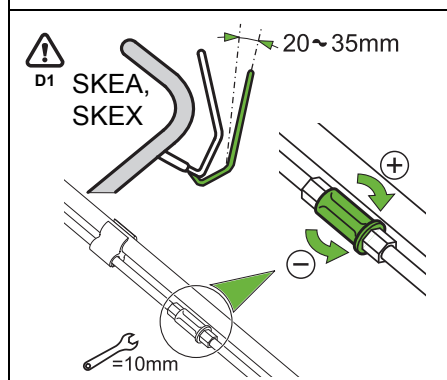
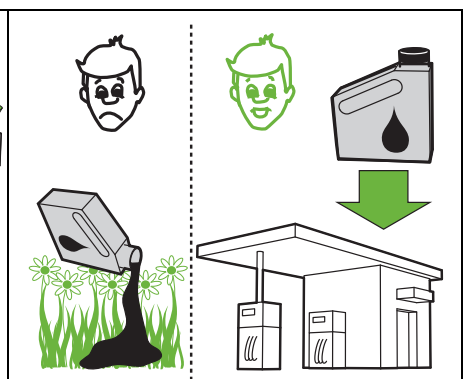
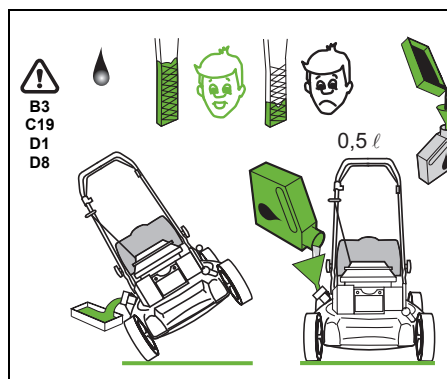
ENTRETIEN MANUTENZIONE MANTENIMIENTO

- Stop the engine and disconnect the spark plug cap in the following cases:
Before any operation under the cutting-means enclosure or the discharge chute.
Do not use the machine with worn or damaged parts. Wear thick gloves when removing, installing or working on the cutting means.
- Arrêter le moteur et débrancher le fil de bougie dans les cas suivants :
Avant toute intervention sous le carter de coupe ou dans le tunnel d'éjection.
Ne pas utiliser la machine avec des pièces endommagées ou usées. Porter des gants épais pour le démontage, le remontage et l'intervention sur la lame de coupe ou lors du nettoyage du carter de coupe.
- In folgenden Fällen muss der Mäher abgeschaltet und sein Zündkerzenstecker abgezogen werden:
Vor jeglichen Arbeiten unter dem Mähwerk oder am Auswurfkanal. Den Mäher nicht mit abgenutzten oder beschädigten Teilen verwenden. Bei Aus- und Einbau des Messers, sowie für dessen Bearbeitung immer dicke Handschuhe tragen.
- Arrestare il motore e disinserire il filo della candela nei seguenti casi:
Prima di qualsiasi intervento sotto il carter del gruppo di taglio o nel tunnel di espulsione. Non utilizzare la macchina se alcuni dei suoi pezzi dovessero essere danneggiati o consumati. Indossare guanti spessi durante lo smontaggio, il rimontaggio e l'intervento sulla lama o durante la pulizia del carter.
- Stop de motor en neem de bougiekap van de bougie:
Voordat u werkzaamheden verricht onder de maaidek of in de uitwerptunnel. Gebruik de machine niet met beschadigde of versleten onderdelen. Draag werkhandschoenen bij het monteren of demonteren van het mes en het reinigen van het maaidek.
- Parar el motor y desconectar el cable de bujía en los siguientes casos:
Antes de cualquier intervención debajo del cárter de corte o dentro del túnel de eyección. No utilizar la máquina con piezas deterioradas o desgastadas. Llevar guantes gruesos para desmontar y montar la cuchilla de corte y para limpiar el cárter de corte.

**EACH USE
CHAQUE UTILISATION
BEI JEDER VERWENDUNG
OGNI IMPIEGO
VOOR ELK GEBRUIK
CADA USO**

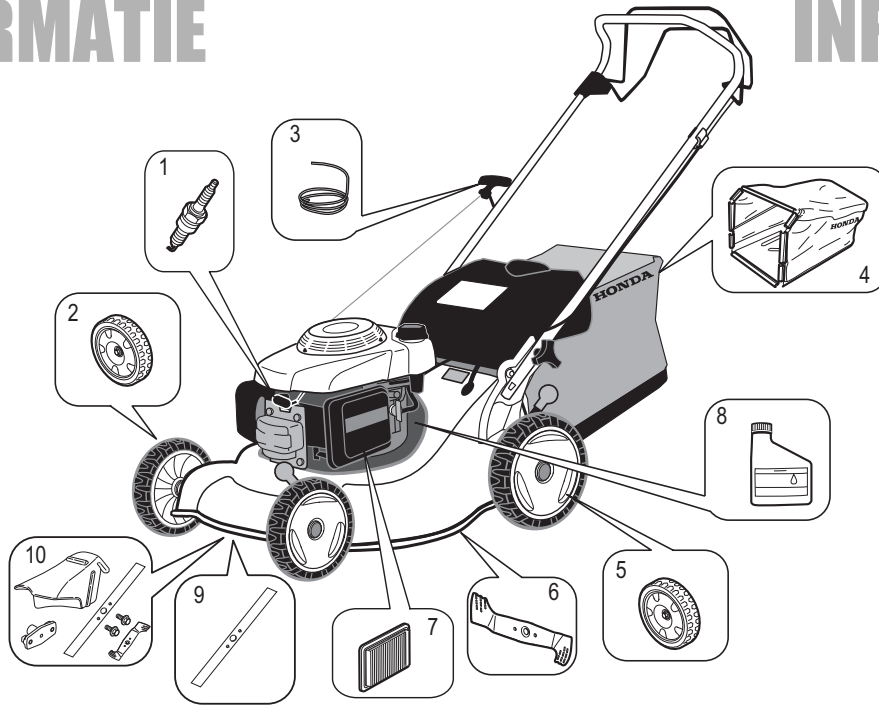


**YEARLY
ANNUEL
JÄHRLICH
OGNI ANNO
ELK JAAR
CADA AÑO**



INFORMATION INFORMATIONEN INFORMATIE

INFORMATION INFORMAZIONI INFORMACIÓN



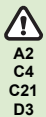
**PARTS
ACCESSOIRES
ZUBEHÖR
ACCESSORI
ACCESSOIRES
ACCESORIOS**



**OPTIONS
OPTIONS
SONDERAUSSTATTUNG
EXTRA
OPTIES
OPCIONES**



	HRG416		HRG466		
	SKEA	PKEA	SKEA	PKEA	SKEA
1			98079-54846		
2			44710-VH3-R10		
3			28462-ZL8-V71		
4	81320-VH3-R11			81320-VH4-R11	
5	42710-VH3-R20	42710-VH3-R10	42710-VH3-R20	42710-VH3-R10	42710-VH3-R20
6	72511-VH3-N10		72511-VH4-N10		72511-VH4-P50
7			17211-Z8B-901		
8			08221-888-061HE		
9					72531-VH4-P50
10	06762-VH3-P21	-	06762-VH4-P11	-	06762-VH4-P11



• For your safety, it is strictly prohibited to install any other attachment than the ones listed above and especially designed for your lawnmowers' model and type.
 • Pour votre sécurité, il est formellement interdit de monter tout autre accessoire que ceux spécifiquement conçus pour votre modèle et type de tondeuse, listés ci-dessus.
 • Für Ihre Sicherheit ist es ausdrücklich verboten, jedes anderes Zubehörteil zu heben, als diejenigen spezifisch, was für Ihr Modell konzipiert und Typ von Rasenmäher, oben aufgelistet sind.

• Per la vostra sicurezza, è formalmente vietato montare qualsiasi altro accessorio che quelli specificamente concepiti per il vostro modello e tipo di rasaerba, elencati sopra.
 • Voor uw veiligheid, is het formeel verboden om het even welke andere toebehoren te stijgen dan die die specifiek voor uw model en soort motorgazonmaaier worden ontworpen, hierboven op een lijst gezet.
 • Para su seguridad, está formalmente prohibido subir cualquier otro accesorio que el específicamente concebido para su modelo y tipo de cortacésped, alistado arriba.

⚠ WARNING :

Failing to comply with these safety instructions may lead to serious bodily injury or damage to the equipment. Please read carefully the safety instructions below before operating the machine.

TRAINING

- A1.** Read the instructions carefully before using the lawnmower. Be familiar with the controls and their proper use before using the equipment. Know how to stop the engine rapidly.
- A2.** Use the lawnmower for the purpose it is intended for, that is mowing and collecting grass. Any other use could be dangerous or damage the equipment.
- A3.** Never allow children or people unfamiliar with these instructions to use the lawnmower. Local regulations may restrict the age of the operator.
- A4.** Never mow when:
 - People, especially children, or pets are nearby.
 - User is under medication or has swallowed substances known to affect judgement or reactions.
 - There is a risk of adverse weather such as lightning or a storm.
- A5.** Keep in mind that the owner or user is responsible for accidents or hazards occurring to other people or their property.

PREPARATION

- B1.** While mowing, always wear substantial footwear and long trousers. Do not operate the equipment when barefoot or wearing sandals.
- B2.** Thoroughly inspect the area where the equipment is to be used and remove all objects which may be thrown by the machine (stones, branches, wires, bones, etc...).
- B3. WARNING ! Petrol is highly flammable.**
 - Store fuel in containers specifically designed for this purpose.
 - Refuel outdoors only, before starting the engine and do not smoke while refuelling or handling fuel.
 - Never remove the cap of the fuel tank or add petrol while the engine is running or when the engine is hot.
 - If petrol is spilled, do not attempt to start the engine but move the machine away from the area of spillage and avoid creating any source of ignition until petrol vapours have dissipated.
 - Replace all fuel tanks and container caps securely.
 - Before tipping the lawnmower to maintain the cutting means or drain oil, remove fuel from tank.
- B4.** Replace faulty silencers.
- B5.** Before use, always visually inspect the machine, especially to see that the cutting means, cutting-means bolts, and cutting-means assembly are not worn or damaged. Replace worn or damaged cutting means and cutting-means bolts in sets to preserve balance

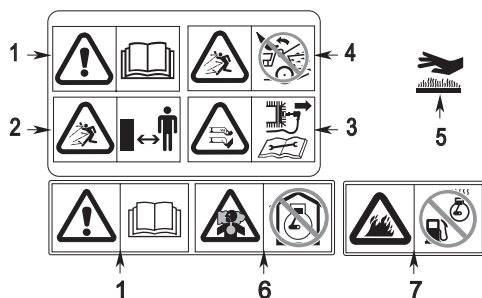
OPERATION

- C1.** Do not operate the engine in a confined space where dangerous carbon monoxide fumes can collect.
- C2.** Mow only in daylight or in good artificial light.
- C3.** If there is a risk of adverse weather such as lightning or a storm, stop operation.
- C4.** Avoid operating the equipment in wet grass, where possible.
- C5.** While mowing, always keep the safety distance to the cutting means, which is provided by the handle length.
- C6.** Walk, never run. Do not let yourself be pulled by the lawnmower.
- C7.** Always be sure of your footing on slopes. Mow across the face of slopes, never up and down.
- C8.** Exercise extreme caution when changing direction on slopes.
- C9.** Do not mow slopes of more than 20°.
- C10.** Use extreme caution when pulling the lawnmower towards you.
- C11.** Stop the cutting means if the lawnmower has to be tilted for transportation when crossing surfaces other than grass, and when transporting the lawnmower to and from the area to be mowed.
- C12.** Never operate the lawnmower with defective guards or cutting-means enclosure, or without safety devices such as deflectors and/or grass catcher.
- C13.** Do not change the engine governor settings or overspeed the engine.

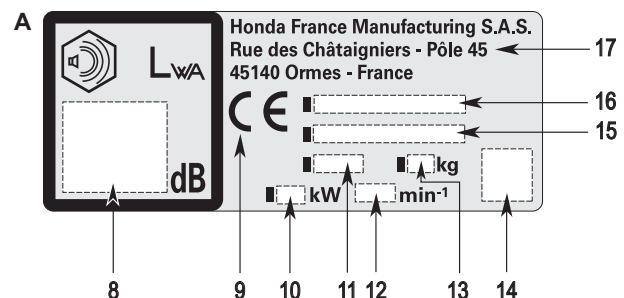
- C14.** Disengage all cutting-means controls and drive clutch before starting the engine.
- C15.** Start the engine carefully according to instructions and with feet well away from the cutting means.
- C16.** Do not tilt the lawnmower when starting the engine. Start the lawnmower on a level surface, free of high grass or obstacles.
- C17.** Keep hands and feet away from the rotating parts. Do not start the engine when standing in front of the discharge opening.
- C18.** Never pick up or carry a lawnmower while the engine is running.
- C19.** Stop the engine and disconnect the spark plug cap in the following cases:
 - Before any operation under the cutting-means enclosure or the discharge chute.
 - Before checking, cleaning, or working on the lawnmower.
 - After striking a foreign object. Inspect the lawnmower for damage and make repairs before restarting and operating the lawnmower again.
 - If lawnmower starts to vibrate abnormally, check immediately the cause of the vibration and perform the necessary repair.
- C20.** Stop the engine in the following cases:
 - Whenever you leave the lawnmower unattended.
 - Before refuelling.
 - When installing or removing the grass catcher.
 - Before adjusting the cutting height.
- C21.** Close the fuel shut-off valve by turning the fuel shut-off valve.
- C22.** Using any attachments other than those recommended by this manual may cause damage to your lawnmower, and such damage will not be covered by your guarantee.

MAINTENANCE, STORAGE AND TRANSPORT

- D1.** Keep all nuts, bolts and screws tight to be sure the equipment is in safe working condition. Regular maintenance is an essential aid to user's safety and retaining a high level of performance.
- D2.** Never store the equipment with petrol in the tank inside a building when vapours may reach an open flame, spark or high temperature source.
- D3.** Allow the engine to cool before storing in any enclosure.
- D4.** To reduce the fire hazard, keep the lawnmower, especially the engine and silencer, the petrol storage area as well, free of grass, leaves, or excessive grease. Do not leave containers of vegetable matters in or near a building. If the fuel tank has to be drained, this should be done outdoors, with a cold engine.
- D5.** Check the grass catcher frequently for wear or deterioration.
- D6.** Do not use the machine with worn or damaged parts. Parts must be replaced, not repaired. Replace worn or damaged parts with HONDA genuine parts. Cutting means must always bear the mark Honda and the reference number. Non equivalent quality parts may damage the machine and be prejudicial to your safety.
- D7.** Wear thick gloves when removing or installing the cutting means, or when cleaning the cutting-means enclosure. When tightening or loosening the cutting-means bolts, use a wooden block to prevent the cutting means from rotating.
- D8.** Always make sure the correct balance of the cutting means when sharpening.
- D9.** It is advisable to use a loading platform or to seek the help of another person when loading or unloading the lawnmower. When the lawnmower is transported, make sure that it is in the horizontal position, close the fuel shut-off valve, disconnect the spark plug and secure the appliance with straps.
- D10.** Check that the engine and the cutting means stop quickly when you release the cutting-means control. Have your dealer check the flywheel brake pad yearly or every 100 hours of operation, whichever comes first.



- 1. Warning:** Read the owner's manual before using the lawnmower.
- 2. Risk of projections:** Keep third persons away from the area during use.
- 3. Risk of cuts. Rotating cutting means:** Do not put hands or feet inside the cutting-means enclosure. Disconnect the spark plug cap before performing any operation of maintenance or repairs.
- 4. Do not operate without either discharge guard or grass catcher in place.**
- 5. The muffler becomes very hot during operation and remains hot for a while after stopping the engine.**
- 6. The engine emits toxic carbon monoxide. Do not run in an enclosed area.**
- 7. Petrol is highly flammable. Stop the engine before refueling.**



A. IDENTIFICATION OF THE MACHINE

- 8.** Sound power level
- 9.** CE marking
- 10.** Nominal power in kilowatt
- 11.** Year of manufacture
- 12.** Recommended engine speed in rpm
- 13.** Mass in Kilograms (with empty tanks)
- 14.** QR code
- 15.** Serial number
- 16.** Model - Type
- 17.** Name and address of the manufacturer

CONSIGNES DE SÉCURITÉ



ATTENTION :

Le non respect des consignes de sécurité peut entraîner des risques de blessure corporelles graves ou d'endommagement du matériel.
Lire attentivement les consignes de sécurité avant toute utilisation.

FORMATION

- A1. Lire attentivement les instructions du présent manuel. Se familiariser avec l'utilisation correcte et les commandes avant d'utiliser la tondeuse. Savoir arrêter le moteur rapidement.
- A2. Utiliser la tondeuse pour l'usage auquel elle est destinée, à savoir la tonte et le ramassage du gazon. Toute autre utilisation peut s'avérer dangereuse ou entraîner une détérioration de la machine.
- A3. Ne jamais permettre d'utiliser la tondeuse à des enfants ou des personnes non familières avec les instructions. La réglementation locale peut fixer un âge limite pour l'utilisateur.
- A4. Ne pas utiliser la tondeuse lorsque : des personnes, particulièrement des enfants, ou des animaux se trouvent à proximité ; l'utilisateur a absorbé des médicaments ou substances, réputés comme pouvant nuire à sa capacité de réflexion et de vigilance.
- A5. Garder à l'esprit que le propriétaire ou l'utilisateur est responsable des accidents ou des risques encourus par les tierces personnes ou par leurs biens.

PRÉPARATION

- B1. Toujours porter des chaussures résistantes et des pantalons longs pendant la tonte. Ne pas utiliser le matériel lorsque l'on est pieds nus ou en sandales.
- B2. Inspecter minutieusement la zone à tondre et éliminer tout objet étranger qui pourrait être projeté par la machine (pierres, morceaux de bois, fil de fer, os, etc...).
- B3. **ATTENTION : DANGER !** L'essence est hautement inflammable. Conserver le carburant dans des récipients spécialement prévus à cet effet. Faire le plein à l'extérieur uniquement, avant de démarrer le moteur et ne pas fumer pendant cette opération ou toute manipulation de carburant. Ne jamais enlever le bouchon du réservoir de carburant ou faire le plein lorsque le moteur est en fonctionnement ou tant qu'il est encore chaud. Ne pas démarrer le moteur si de l'essence a été répandue : éloigner la tondeuse de la zone où le carburant a été renversé et ne provoquer aucune étincelle tant que le carburant ne s'est pas évaporé et que les vapeurs ne se sont pas dissipées. Refermer correctement le réservoir et le récipient en serrant convenablement les bouchons. Avant de pencher la tondeuse afin d'intervenir sur la lame ou de vidanger l'huile, vider le réservoir de carburant.
- B4. Remplacer les silencieux d'échappement défectueux.
- B5. Avant chaque utilisation, toujours procéder à une vérification générale et en particulier de l'aspect des lames, des boulons de fixation et de l'ensemble de coupe pour s'assurer qu'ils ne sont ni usés ni endommagés. Remplacer les pièces endommagées ou usées par lots complets pour préserver le bon équilibrage.

UTILISATION

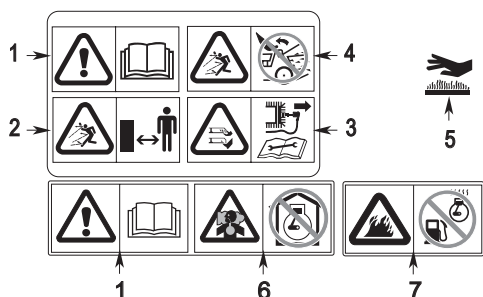
- C1. Ne pas faire fonctionner le moteur dans un endroit confiné, où les vapeurs nocives de monoxyde de carbone peuvent s'accumuler.
- C2. Tondre uniquement à la lumière du jour ou dans une lumière artificielle de bonne qualité.
- C3. Dans la mesure du possible, éviter de tondre de l'herbe mouillée.
- C4. Pendant le travail, conserver la distance de sécurité par rapport à la lame, donnée par la longueur du guidon.
- C5. Marcher, ne jamais courir. Ne pas se faire tirer par la tondeuse.
- C6. Assurer ses pas dans les pentes. Tondre les pentes dans le sens transversal, jamais en montant ou en descendant.
- C7. Être particulièrement prudent lors des changements de direction sur les terrains en pente.
- C8. Ne pas tondre sur des pentes supérieures à 20°.
- C9. Faire particulièrement attention lorsque la machine doit être tirée vers soi.
- C10. Arrêter la lame si la tondeuse doit être inclinée pour le transport et lors des déplacements entre les surfaces à tondre.

- C11. Ne jamais utiliser la tondeuse si ses protecteurs ou carters sont endommagés, ou en l'absence de dispositifs de sécurité comme le déflecteur ou le bac de ramassage.
- C12. Ne jamais modifier le réglage du régulateur du moteur, ni mettre le moteur en surrégime.
- C13. Avant de démarrer le moteur, désengager la lame et l'embrayage d'avancement.
- C14. Démarrer le moteur avec précaution, en respectant les consignes d'utilisation et en tenant les pieds éloignés de la lame.
- C15. Ne pas incliner la tondeuse pour le démarrage. Effectuer la mise en marche sur une surface plane, exempte de tout obstacle et d'herbe haute.
- C16. Tenir les mains et les pieds éloignés des pièces tournantes. Toujours se tenir à l'écart de la goulotte d'éjection.
- C17. Ne jamais soulever ou transporter une tondeuse dont le moteur est en fonctionnement.
- C18. Arrêter le moteur et débrancher le fil de bougie dans les cas suivants : Avant toute intervention sous le carter de coupe ou dans le tunnel d'éjection. Avant toute opération de nettoyage, de vérification ou de réparation de la tondeuse. Après avoir heurté un objet étranger. Inspecter la tondeuse pour vérifier si elle est endommagée. Effectuer les réparations nécessaires avant toute nouvelle utilisation de la machine. Si la tondeuse commence à vibrer de manière anormale. Rechercher immédiatement la cause des vibrations et y remédier.
- C19. Arrêter le moteur dans les cas suivants : Toutes les fois où la tondeuse doit être laissée sans surveillance. Avant de faire le plein de carburant.
- C20. Fermer le robinet d'arrivée d'essence après chaque utilisation.
- C21. L'utilisation d'accessoires autres que ceux recommandés par Honda peut occasionner des dommages sur votre tondeuse qui ne seront pas couverts par votre garantie.

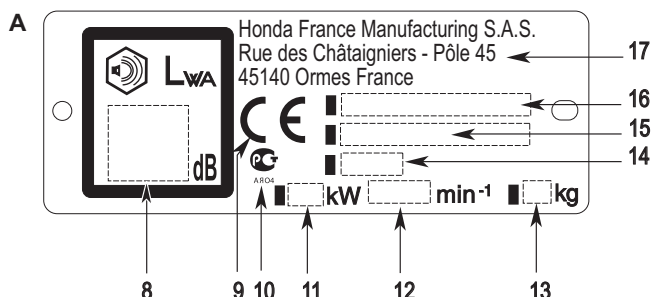
MAINTENANCE, STOCKAGE ET TRANSPORT

- D1. Maintenir tous les écrous et vis serrés afin d'assurer des conditions d'utilisation sûres. Un entretien régulier est essentiel pour la sécurité et le maintien du niveau de performances.
- D2. Ne jamais entreposer la tondeuse avec du carburant dans le réservoir dans un local où les vapeurs d'essence pourraient atteindre une flamme, une étincelle ou une forte source de chaleur.
- D3. Laisser le moteur refroidir avant de ranger la machine dans un local quelconque.
- D4. Pour réduire les risques d'incendie, débarrasser la tondeuse, en particulier le moteur et le pot d'échappement, ainsi que la zone de stockage de carburant, des feuilles, brins d'herbe et des excès de graisse. Ne pas laisser de conteneurs de déchets végétaux dans ou à proximité d'un local.
- D5. Si le réservoir de carburant doit être vidangé, effectuer cette opération à l'extérieur et lorsque le moteur est froid.
- D6. Vérifier fréquemment que l'équipement de ramassage ne présente aucune trace d'usure ou de détérioration.
- D7. Ne pas utiliser la machine avec des pièces endommagées ou usées. Les pièces doivent être remplacées et non pas réparées. Utiliser des pièces d'origine Honda. Les lames doivent toujours porter la marque HONDA ainsi que la référence. Des pièces de qualité non équivalente peuvent endommager la machine et nuire à votre sécurité.
- D8. Porter des gants épais pour le démontage et le remontage de la lame de coupe ou lors du nettoyage du carter de coupe. Pour le serrage et desserrage de la lame, utiliser une cale en bois pour bloquer sa rotation.
- D9. Veiller au maintien de l'équilibrage de la lame lors de son affûtage.
- D10. Il est recommandé d'avoir recours à une rampe de chargement ou de se faire aider par quelqu'un pour charger ou décharger la tondeuse. Transporter la tondeuse à l'horizontale, fermer le robinet d'essence, débrancher la bougie, et l'immobiliser à l'aide de sangles.

ETIQUETTES DE SÉCURITÉ



1. **Attention** : lire le manuel d'utilisateur avant utilisation de la tondeuse.
2. Risque de projection. Tenir les tierces personnes en dehors de la zone pendant l'utilisation.
3. Risque de coupure. Lame tournante. Ne pas introduire les mains et pieds dans l'enceinte de lame. Débrancher le capuchon de bougie avant toute opération d'entretien ou de réparation.
4. Ne pas utiliser la tondeuse sans le déflecteur ou le collecteur d'herbe.
5. Dès le démarrage, le pot d'échappement devient très chaud et le reste après l'arrêt du moteur.
6. Le moteur dégage du monoxyde de carbone qui est un gaz toxique. Ne jamais le faire fonctionner dans un endroit clos.
7. L'essence est très inflammable et explosive. Avant de faire le plein de carburant, arrêter le moteur et le laisser se refroidir.



A. IDENTIFICATION DE LA MACHINE

8. Niveau sonore selon directives 2000/14/EC, 2005/88/EC
9. Marquage de conformité, selon directives 2006/42/EC, 2000/14/EC, 2005/88/EC, 2004/108/EC.
10. Marquage de conformité Russe
11. Puissance nominale
12. Vitesse d'utilisation du moteur en tours par minute
13. Masse en kilogrammes
14. Année de fabrication
15. Numéro de série
16. Modèle - Type
17. Nom et adresse du constructeur

⚠️ WARNUNG :

Die Nichteinhaltung der Sicherheitsvorschriften kann die Gefahr schwerer Körperverletzungen und Sachschäden nach sich ziehen. Die Sicherheitshinweise vor jeglicher Verwendung aufmerksam durchlesen.

ANLEITUNG

- A1. Lesen Sie das vorliegende Handbuch aufmerksam durch. Machen Sie sich mit der Funktionsweise und Bedienung des Rasenmähers vertraut, bevor Sie diesen benutzen. Sie müssen in der Lage sein, den Motor rasch abzuschalten.
- A2. Verwenden Sie den Rasenmäher ausschließlich zum vorgesehenen Zweck, d.h. zum Mähen des Rasens und Sammeln des Schnittgutes. Der Einsatz zu anderen Zwecken kann gefährlich sein oder zu Schäden am Gerät führen.
- A3. Kinder sowie Personen, die mit den Anwendungshinweisen nicht vertraut sind, dürfen den Rasenmäher keinesfalls bedienen. Im Rahmen der lokalen Gesetzgebung kann ein Mindestalter für den Benutzer festgesetzt sein.
- A4. Den Rasenmäher nicht benutzen, wenn: sich Personen, insbesondere Kinder, oder Tiere in der Nähe aufhalten; der Benutzer Medikamente oder Substanzen eingenommen hat, die sein Reaktionsvermögen und seine Aufmerksamkeit einschränken können.
- A5. Denken Sie immer daran, daß der Eigentümer oder Benutzer des Rasenmähers für Unfälle und Schäden haftet, die Dritten bzw. am Eigentum von Dritten entstehen.

VORBEREITUNG

- B1. Tragen Sie beim Mähen immer festes Schuhwerk und lange Hosen. Benutzen Sie den Rasenmäher keinesfalls, wenn Sie keine Schuhe bzw. Sandalen tragen.
- B2. Prüfen Sie die betreffende Rasenfläche zunächst gründlich und entfernen Sie eventuelle Fremdkörper, die durch den Rasenmäher aufgeschleudert werden könnten (Steine, Holzstücke, Drähte, Knochen etc...).
- B3. **ACHTUNG: GEFAHRI** Benzin ist feuergefährlich. Bewahren Sie Benzin in Behältern auf, die speziell für diesen Zweck bestimmt sind. Betanken Sie den Rasenmäher nur im Freien bei ausgeschaltetem Motor. Rauchen Sie nicht, während Sie mit Benzin umgehen. Wenn der Motor in Betrieb oder noch warm ist, darf der Deckel des Benzintanks keinesfalls geöffnet bzw. Benzin eingefüllt werden. Starten Sie den Motor nicht, wenn Benzin verschüttet wurde: entfernen Sie den Rasenmäher aus dem betreffenden Bereich und vermeiden Sie offene Flammen, solange sich das Benzin und die Dämpfe nicht verflüchtigt haben. Verschließen Sie den Deckel des Tanks und Benzinbehälters wieder sorgfältig. Vor dem Kippen des Rasenmähers für Arbeiten am Messer oder zum Auslaufenlassen des Öls den Kraftstofftank leeren.
- B4. Defekte Auspuffschalldämpfer müssen ausgetauscht werden.
- B5. Vor jedem Einsatz muß der Rasenmäher einer allgemeinen Überprüfung unterzogen werden; insbesondere sind die Schneidmesser, Befestigungsbolzen und die gesamte Schneideinheit auf Verschleiß oder Beschädigungen zu prüfen. Sind Teile beschädigt oder abgenutzt, so ist jeweils der komplette Teilesatz auszutauschen.

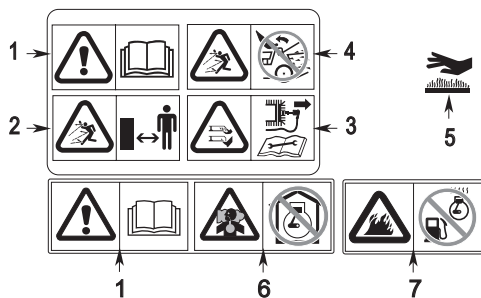
BEDIENUNGSELEMENTE UND BAUGRUPPEN

- C1. Schalten Sie den Motor nicht in geschlossenen Räumen ein, in denen sich schädliche Kohlenmonoxidgase ansammeln können.
- C2. Benutzen Sie den Rasenmäher nur bei Tageslicht bzw. bei guter Beleuchtung.
- C3. Das Mähen von nassem Gras sollte nach Möglichkeit vermieden werden.
- C4. Halten Sie während der Arbeit immer einen ausreichenden Sicherheitsabstand zum Schneidmesser ein, der durch die Länge der Lenkstange gegeben ist.
- C5. Achten Sie darauf, daß Sie beim Mähen gehen und nicht laufen. Lassen Sie sich vom Rasenmäher nicht "vorwärtsziehen".
- C6. Achten Sie in abschüssigem Gelände auf einen sicheren Schritt. Mähen Sie quer zum Hang und keinesfalls in auf- oder absteigender Richtung.
- C7. Bei Richtungswechseln in abschüssigem Gelände ist besondere Vorsicht geboten.
- C8. Bei mehr als 20° Gefälle darf der Rasenmäher nicht eingesetzt werden.
- C9. Seien Sie besonders vorsichtig, wenn Sie den Rasenmäher zu sich herziehen.
- C10. Das Schneidmesser muß abgeschaltet werden, wenn der Rasenmäher beim Transport oder der Verlagerung von einer Rasenfläche zur nächsten gekippt werden muß.
- C11. Der Rasenmäher darf keinesfalls benutzt werden, wenn die Schutzvorrichtungen oder das Gehäuse beschädigt sind oder Sicherheitsteile wie das Ablenklech oder die Fangbox fehlen.

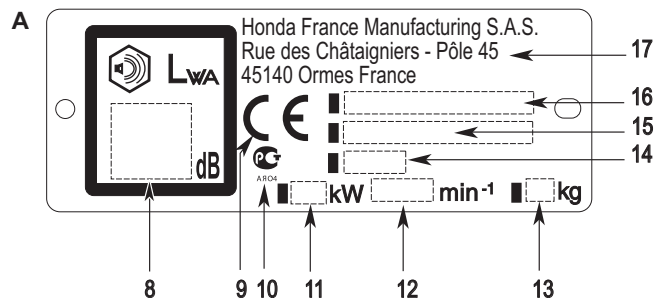
- C12. Die Einstellung des Motorreglers darf keinesfalls verändert werden. Achten Sie darauf, daß der Motor nicht überdreht.
- C13. Entblocken Sie vor dem Starten des Motors das Schneidmesser und die Vorschubkupplung.
- C14. Schalten Sie den Motor vorsichtig ein; beachten Sie dabei die Anwendungshinweise und halten Sie einen ausreichenden Sicherheitsabstand zum Schneidmesser ein.
- C15. Der Rasenmäher darf beim Starten nicht gekippt werden. Schalten Sie das Gerät auf einer ebenen Fläche ein, auf der sich weder Hindernisse noch hohes Gras befinden.
- C16. Hände und Füße müssen sich in ausreichendem Abstand zu rotierenden Teilen befinden. Halten Sie immer einen ausreichenden Sicherheitsabstand zur Auswurftrinne.
- C17. Der Rasenmäher darf keinesfalls angehoben oder transportiert werden, solange der Motor in Betrieb ist.
- C18. In folgenden Fällen muß der Motor abgeschaltet und der Zündkerzendraht unterbrochen werden: Vor jedem Eingriff unter dem Schneidgehäuse oder im Auswurfkanal. Vor der Reinigung, Überprüfung oder Reparatur des Rasenmähers. Nach dem Kontakt mit einem Fremdkörper. In diesem Fall muß der Rasenmäher auf eventuelle Beschädigungen überprüft werden. Vor dem erneuten Einsatz des Gerätes sind die erforderlichen Reparaturen auszuführen. Wenn der Rasenmäher in anormaler Weise vibriert. Die Ursache der Vibrationen muß sofort ermittelt und beseitigt werden.
- C19. In folgenden Fällen ist der Motor abzuschalten: Immer wenn der Rasenmäher nicht beaufsichtigt ist. Vor dem Betanken des Rasenmähers.
- C20. Den Rasenmäher schließen.
- C21. Eine Verwendung von Zubehör, das nicht von Honda empfohlen wurde, kann zu Schäden an Ihrer Rasenmäher führen, die nicht von der Garantie abgedeckt werden.

WARTUNG, LAGERUNG UND TRANSPORT

- D1. Um sichere Einsatzbedingungen zu gewährleisten, müssen sämtliche Schrauben und Muttern angezogen sein. Die regelmäßige Wartung des Rasenmähers ist eine wesentliche Voraussetzung für die Erhaltung der Sicherheit und Leistung des Gerätes.
- D2. Der Rasenmäher darf keinesfalls mit gefülltem Tank in einem Raum gelagert werden, wo die Benzindämpfe mit einer offenen Flamme, Funken oder einer starken Wärmequelle in Kontakt kommen könnten.
- D3. Lassen Sie den Motor abkühlen, bevor Sie den Rasenmäher in einem Raum unterbringen.
- D4. Beseitigen Sie Blätter, Grashalme und überschüssiges Fett, die sich am Rasenmäher, insbesondere am Motor, sowie im Lagerungsbereich des Benzins befinden; so reduzieren Sie die Brandgefahr. Lagern Sie Container mit Gartenabfällen nicht in einem geschlossenen Raum oder in unmittelbarer Umgebung eines Raumes.
- D5. Wenn der Kraftstofftank entleert werden muß, so darf dies nur im Freien und bei kaltem Motor geschehen.
- D6. Prüfen Sie die Schnittgut-Sammeleinheit in regelmäßigen Abständen auf Verschleiß oder Beschädigungen.
- D7. Verwenden Sie den Rasenmäher nicht, wenn Teile beschädigt oder abgenutzt sind. Die Teile dürfen nicht repariert, sondern müssen ausgetauscht werden. Verwenden Sie dazu Originalteile von Honda. Die Schneidmesser müssen immer mit der Marke Honda sowie einer Referenz gekennzeichnet sein. Teile anderer Güte können zu Schäden am Gerät führen und Ihre Sicherheit beeinträchtigen.
- D8. Tragen Sie bei der Demontage und Montage des Schneidmessers dicke Handschuhe oder beim Reinigen des Mähwerks. Zum Festziehen und Lösen des Messers die Messerdrehung mittels eines Holzblocks blockieren.
- D9. Achten Sie beim Schärfen des Schneidmessers darauf, daß seine Gleichmäßigkeit erhalten bleibt.
- D10. Zum Laden oder Entladen des Rasenmähers wird empfohlen, entweder eine Laderampe zu verwenden oder sich von einer zusätzlichen Person helfen zu lassen. Den Rasenmäher nur in horizontaler Lage transportieren. Zuvor den Benzinhahn schließen, den Zündkerzenstecker abziehen und das Gerät mit Bändern immobilisieren.



- 1. **Warnung:** lesen Sie vor dem Benutzen des Mähers die Bedienungsanleitung genau durch.
- 2. Gefährdung von Personen. Bei Betrieb Dritte vom Gefahrenbereich fernhalten.
- 3. Verletzungsgefahr. Gefahr durch umlaufende Schneidwerkzeuge. Hände und Füße fernhalten. Entfernen Sie den Zündkerzenstecker vor allen Wartungs- oder Reparaturarbeiten.
- 4. Nicht ohne prallblech oder grasfangsack verwenden.
- 5. Der Auspufftopf wird während des Betriebs sehr heiß und bleibt auch nach dem Abstellen des Motors eine gewisse Zeit lang heiß.
- 6. Im Abgas des Motors ist giftiges Kohlenmonoxid enthalten. Nicht in einem geschlossenen Bereich laufen lassen.
- 7. Benzin ist äußerst feuergefährlich und explosiv. Vor dem Tanken den Motor abstellen und abkühlen lassen.



A. TYPENSCHILD DER MASCHINE

- 8. Gemäß der Richtlinien 2000/14/EC, 2005/88/EC Geräuschpegel.
- 9. Konformitätszeichen gemäß der geänderten Richtlinien 2006/42/EC, 2000/14/EC, 2005/88/EC, 2004/108/EC
- 10. Konformitätskennzeichen Russisch
- 11. Nennleistung
- 12. Motordrehzahl in Umdrehungen pro Minute
- 13. Gewicht in Kilogramm
- 14. Herstellungsjahr
- 15. Seriennummer
- 16. Modelle - Typenbezeichnung
- 17. Name und Anschrift des Herstellers

NORME DI SICUREZZA



ATTENZIONE :

La mancata osservanza delle istruzioni per la sicurezza può causare lesioni gravi alla persona o danneggiare il materiale. Leggere attentamente le istruzioni per la sicurezza prima di qualsiasi impiego.

ISTRUZIONI

- A1. Leggere attentamente le istruzioni del presente manuale. Prima di utilizzare la rasaerba, prendere familiarità con l'uso corretto e con i comandi. Imparare ad arrestare rapidamente il motore.
- A2. Utilizzare la rasaerba unicamente per l'uso a cui è destinata, sarebbe a dire per la tosatura e la raccolta dell'erba del prato. Qualsiasi altro utilizzo potrebbe risultare pericoloso o danneggiare la macchina.
- A3. Non permettere mai l'uso della rasaerba a bambini o a persone che non hanno familiarità con le istruzioni. Può esistere una normativa locale che fissa un'età limite per l'utente.
- A4. Non utilizzare la rasaerba quando: nelle vicinanze ci sono persone, soprattutto bambini, o animali, l'utente ha ingerito farmaci o sostanze che possono nuocere alla sua capacità di riflesso e di controllo.
- A5. Non dimenticare che il proprietario o l'utente sono responsabili di eventuali incidenti o rischi a danno di terze persone o dei loro beni.

PREPARAZIONE

- B1. Indossare sempre scarpe resistenti e pantaloni lunghi durante la tosatura. Non usare la macchina se si è a piedi nudi o se si calzano sandali.
- B2. Ispezionare minuziosamente la zona da rasare per eliminare qualsiasi oggetto estraneo che potrebbe essere schizzato via dalla macchina (pietre, pezzi di legno, fili di ferro, ossi, ecc.).
- B3. **ATTENZIONE : PERICOLO !** La benzina è una sostanza altamente infiammabile. Conservare il carburante in appositi recipienti. Fare il pieno di benzina rigorosamente all'aperto, prima di avviare il motore, e fare attenzione a non fumare durante questa operazione o mentre si maneggia il carburante. Non togliere mai il tappo del serbatoio del carburante, né fare il pieno quando il motore è in funzione o è ancora caldo. Non avviare il motore se si è rovesciata della benzina: allontanare la rasaerba dalla zona in cui si è rovesciato il carburante e fare attenzione a non provocare combustioni finché il carburante non è evaporato e i vapori non si sono dissolti. Chiudere bene il serbatoio e il recipiente stringendo opportunamente i tappi. Prima di capovolgere il tosaerba per eseguire la manutenzione della lama o per vuotare l'olio, eliminare il carburante dal serbatoio.
- B4. Sostituire i silenziatori del tubo di scarico se difettosi.
- B5. Prima di qualsiasi utilizzo, procedere sempre a una verifica generale, in particolare controllare l'aspetto delle lame, dei bulloni di fissaggio e del gruppo di taglio per assicurarsi che non siano consumati o danneggiati. Per mantenere un equilibrio perfetto, sostituire i pezzi danneggiati o consumati con set completi.

UTILIZZO

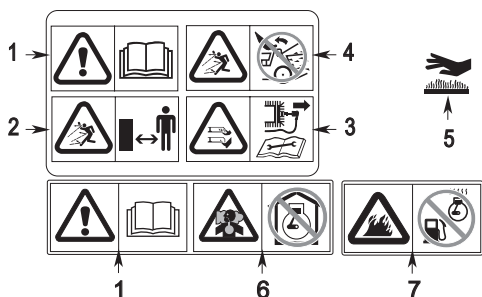
- C1. Non far funzionare il motore in un luogo chiuso in cui i vapori tossici di monossido di carbonio possono accumularsi.
- C2. Tosare esclusivamente alla luce del giorno o con l'ausilio di una luce artificiale di buona qualità.
- C3. Per quanto possibile, evitare di rasare erba bagnata.
- C4. Durante il lavoro, tenere la distanza di sicurezza rispetto alla lama, che è data dalla lunghezza del manubrio.
- C5. Non correre ma camminare. Non lasciarsi tirare dalla rasaerba.
- C6. Se il prato è in pendenza, fare attenzione a dove si mettono i piedi. Tosare i prati in pendenza in senso trasversale, mai salendo o scendendo.
- C7. Essere particolarmente prudenti durante i cambiamenti di direzione sui terreni in pendenza.
- C8. Non tosare prati con pendenza superiore ai 20°.
- C9. Fare molta attenzione quando si tira la macchina verso di sé.
- C10. Arrestare la lama se la rasaerba deve essere inclinata per il trasporto e negli spostamenti da una superficie all'altra da tosare.

- C11. in mancanza di dispositivi di sicurezza come il deflettore o la sacco di raccolta.
- C12. Non modificare mai la registrazione del regolatore del motore, né far girare il motore oltre il regime normale.
- C13. Prima di avviare il motore, disinnestare la lama e la frizione di avanzamento.
- C14. Avviare il motore con cautela, seguendo le istruzioni per l'uso e tenendo i piedi lontani dalla lama.
- C15. Prima l'avviamento, non inclinare la rasaerba. Effettuare la messa in moto su una superficie piana, priva di qualsiasi ostacolo e di erba alta.
- C16. Tenere mani e piedi lontani dai componenti rotanti. Stare sempre lontano dalla bocca di espulsione.
- C17. Non trasportare o sollevare mai la rasaerba quando il motore è in funzione.
- C18. Arrestare il motore e disinserire il filo della candela nei seguenti casi: Prima di qualsiasi intervento sotto il carter del gruppo di taglio o nel tunnel di espulsione. Prima di procedere a qualsiasi operazione di pulizia, controllo o riparazione della rasaerba. Dopo aver urtato contro un oggetto estraneo. In questo caso ispezionare la rasaerba per controllare se ha subito danni. Prima di riutilizzare la macchina, effettuare le riparazioni necessarie. Se la rasaerba comincia a vibrare in modo anomalo, ricercare immediatamente la causa delle vibrazioni e porvi rimedio.
- C19. Arrestare il motore nei seguenti casi: Ogni volta che la rasaerba deve essere lasciata incustodita. Prima di fare il pieno di carburante.
- C20. Chiudere il rubinetto di alimentazione benzina.
- C21. L'utilizzo di accessori diversi da quelli raccomandati da Honda può causare danni al rasaerba, che non sono però coperti dalla garanzia.

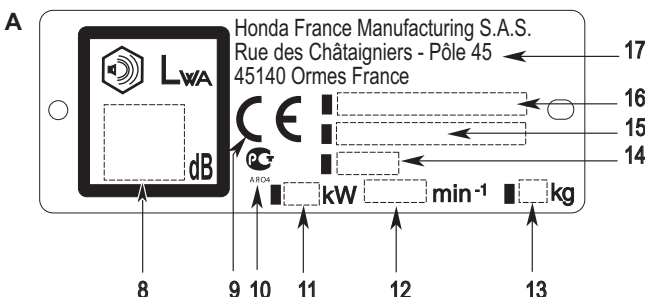
MANUTENZIONE, IMMAGAZZINAMENTO E TRASPORTO

- D1. Per garantire condizioni di utilizzo sicure, controllare che dadi e viti siano sempre serrati. Una manutenzione costante è fondamentale ai fini della sicurezza e del livello di rendimento.
- D2. Non lasciare mai la rasaerba con del carburante residuo nel serbatoio in un locale in cui i vapori della benzina potrebbero raggiungere una fiamma, una scintilla o una potente fonte di calore.
- D3. Lasciar raffreddare il motore prima di sistemare la rasaerba in qualsiasi locale.
- D4. Per ridurre i rischi di incendio, rimuovere eventuali foglie, fili d'erba e accumuli di grasso in particolare dal motore, dalla marmitta di scarico e dalla zona di stoccaggio del carburante. Non lasciare contenitori di resti vegetali all'interno o nelle vicinanze di un locale.
- D5. Se il serbatoio del carburante deve essere vuotato, eseguire tale operazione all'esterno e a motore freddo.
- D6. Controllare spesso che l'attrezzatura di raccolta dell'erba non presenti tracce di usura o di deterioramento.
- D7. Non utilizzare la macchina se alcuni dei suoi pezzi dovessero essere danneggiati o consumati. In tal caso i pezzi devono essere sostituiti, non riparati. Utilizzare soltanto pezzi originali Honda. Le lame devono sempre recare il marchio Honda come pure il numero di matricola. Pezzi di qualità differente possono danneggiare la macchina e nuocere alla sicurezza dell'utente.
- D8. Indossare guanti spessi durante la rimozione o l'installazione della lama o durante la pulizia del carter coprilama. Per il serraggio o l'allentamento della lama, impiegare uno spessore di legno per evitare la rotazione bloccandola.
- D9. Durante l'operazione di affilatura della lama, fare attenzione a mantenerne l'equilibratura.
- D10. Si raccomanda di usare un piano di carico o di farsi aiutare per caricare o scaricare il rasaerba. Trasportare il rasaerba orizzontalmente, chiudere il rubinetto della benzina, scollegare la candela e bloccare con delle cinghie.

ETICHETTE DI SICUREZZA



- 1. **Attenzione:** leggere il libretto di uso e manutenzione prima di usare la macchina.
- 2. Rischio di proiezioni. Tenere lontano terze persone d'all'area durante l'uso.
- 3. Rischio di tagli. Lama rotanti. Non mettere mani o piedi all'interno dell'alloggiamento lame. Scollagare il cappuccio della candela prima di effettuare qualsiasi intervento di manutenzione o riparazione.
- 4. Non utilizzare senza deflettore o sacco raccogliherba.
- 5. Durante il funzionamento, il silenziatore diventa molto caldo e lo rimane per un certo tempo anche dopo l'arresto del motore.
- 6. Il motore rilascia monossido di carbonio che è un gas tossico velenoso. Non azionare in un luogo chiuso.
- 7. La benzina è estremamente infiammabile ed esplosiva. Spegnerne il motore e lasciarlo raffreddare prima di effettuare il rifornimento.



- A. **IDENTIFICAZIONE DELLA MACCHINA**
- 8. Livello di potenza acustica in accordo con delle Direttive 2000/14/EC, 2005/88/EC
- 9. Segno di conformità in accordo con delle Direttive 2006/42/EC, 2000/14/EC, 2005/88/EC, 2004/108/EC
- 10. Marcatura di conformità russo
- 11. Potenza nominale in chilowatt
- 12. Velocità di funzionamento del motore in giri al minuto
- 13. Massa in chilogrammi
- 14. Anno di produzione
- 15. Numéro di série
- 16. Modello - Tipo
- 17. Nome e indirizzo del costruttore

! WAARSCHUWING :

Het in de wind slaan van de veiligheidsvoorschriften kan lichamelijk letsel en materiele schade tengevolge hebben. Lees de veiligheidsinstructies aandachtig voorafgaand aan gebruik.

WAARSCHUWINGEN VOOR HET MAAIEN

- A1. Lees deze instructies zorgvuldig. Zorg ervoor alle bedieningsorganen en het juiste gebruik ervan te kennen voor u de machine gebruikt. Zorg ervoor dat u de motor snel kunt afzetten.
- A2. Gebruik de maaier alleen voor het doel waarvoor hij bedoeld is, dit is het maaien en opvangen van gras. Elk ander gebruik kan gevaarlijk zijn of schade aan de machine veroorzaken.
- A3. Laat nooit kinderen, of mensen welke deze instructies niet kennen, de gazonmaaier gebruiken. In sommige landen is het verboden kinderen onder een bepaalde leeftijd een grasmaachine te laten bedienen.
- A4. Maai nooit wanneer: er mensen, vooral kinderen of huisdieren in de buurt zijn. de gebruiker onder invloed is van medicijnen of andere stoffen welke de reactiesnelheid kunnen beïnvloeden.
- A5. Houd in gedachte dat de eigenaar of de gebruiker verantwoordelijk is voor eventuele ongevallen, ongemak of schade veroorzaakt aan andere personen of hun eigendommen.

VOORBEREIDING OP HET GEBRUIK

- B1. Draag tijdens het maaien degelijk schoeisel en een lange broek. Maai nooit blootsvoets of op open schoeisel.
- B2. Controleer, voor u gaat maaien het te maaien veld zorgvuldig op alle voorwerpen welke door de maaier kunnen worden weggeslingerd (stenen, takken, draad, speelgoed enz.) en verwijder deze.
- B3. **WAARSCHUWING:** Benzine is zéér brandbaar!
Sla benzine alleen op in jerrycans welke voor dat doel gemaakt zijn. Vul alleen buiten benzine bij, en alléén met stilstaande motor. Rook niet tijdens het bijvullen of tijdens het anderszins omgaan met benzine. Draai nooit de tankdop van de tank met draaiende motor of zolang de motor nog heet is.
Start, wanneer u benzine heeft gemorst, de motor niet voor u de machine heeft verplaatst en droog gemaakt. Voorkom vuur en vonkvorming tot alle benzinedampen verdwenen zijn.
Draai de tankdop en de dop van de jerrycan stevig vast. Ledig de brandstoftank voor u de grasmaaimachine kantelt om het mes te blokkeren of de olie af te tappen.
- B4. Vervang defecte geluiddempers.
- B5. Controleer voor ieder gebruik visueel of het maaimes, de mesbouten en de maaikast onbeschadigd en niet overmatig gesleten zijn. Vervang versleten of beschadigde mesbouten en het mes als set om een juiste balancering te waarborgen.

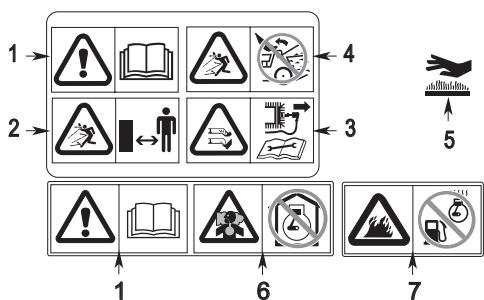
GEBRUIK

- C1. Laat de motor niet draaien in een gesloten ruimte waar het levensgevaarlijke koolmonoxide zich kan verzamelen.
- C2. Maai alleen bij daglicht of goed kunstlicht.
- C3. Voorkom indien mogelijk het maaien van nat gras.
- C4. Blijf tijdens het maaien op veilige afstand van de maaidek. De stuurboom heeft een veilige lengte, blijf dus achter de maaier.
- C5. Met draaiende motor altijd gewoon lopen, nooit hard lopen. Laat uzelf niet trekken door de maaier.
- C6. Wees tijdens het maaien van een helling verzekerd van voldoende steun voor uw voeten. Maai altijd dwars op een helling, nooit op en neer.
- C7. Wees heel voorzichtig wanneer u van richting verandert op een helling.
- C8. Maai geen hellingen steiler dan 20°.

- C9. Wees heel voorzichtig wanneer u de maaier naar u toe trekt.
- C10. Ontkoppel het mes wanneer u de machine met de voorwielen van de grond van gazon naar gazon rijdt.
- C11. Gebruik de maaier nooit wanneer het maaidek of de afschermplaat beschadigd zijn of wanneer veiligheidsvoorzieningen zoals een grasvangzak of uitwerpkoker niet aangebracht zijn.
- C12. Breng geen wijzigingen aan in de toerentalregelaar-afstelling en zorg dat de motor niet over toeren draait.
- C13. Ontkoppel zowel het mes als de motor voor u de machine start.
- C14. Start de motor volgens de instructies, en houdt uw voeten uit de buurt.
- C15. Kantel de maaier niet wanneer u de motor start. Start de motor altijd op een vlakke ondergrond, vrij van hoog gras of obstakels.
- C16. Houd uw handen uit de buurt van roterende delen. Start de motor niet terwijl u voor de uitwerpopening staat.
- C17. Til de maaier nooit op met draaiende motor.
- C18. Zet de motor af en neem de kap van de bougie wanneer: U werkzaamheden onder het maaidek of in de uitwerptunnel verricht; U de machine controleert, reinigt of onderhoudt; Het mes een steen of tak heeft geraakt en u de machine op schad controleert of wilt repareren.
- C19. Zet de motor af wanneer U: de machine onbewaakt achterlaat; de benzinetank wilt vullen.
- C20. Zet de gashendel in de stop-positie of sluit de benzinekraan.
- C21. Als u andere accessoires gebruikt, dan die worden aanbevolen door Honda, dan kan dit leiden tot schade aan uw motorgazonmaaier die niet onder de garantie valt.

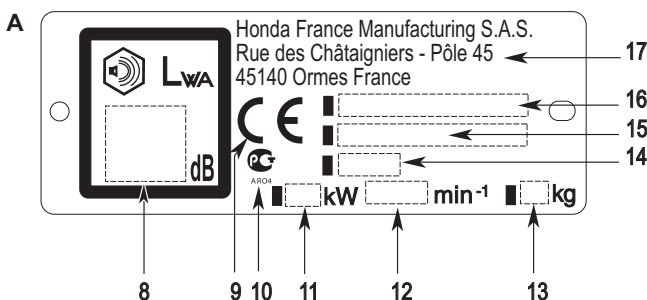
ONDERHOUD, OPSLAG EN VERVOER

- D1. Houd alle bouten, moeren en schroeven goed vastgedraaid, zodat de maaier veilig blijft om te gebruiken. Regelmatig onderhoud is essentieel om de maaier in een veilige en goedwerkende toestand te houden.
- D2. Zet uw maaier nooit weg met benzine in de tank, wanneer eventuele benzinedamp in contact kan komen met een open vlam, vonk of andere bron van hoge temperatuur.
- D3. Laat de motor afkoelen voor u de machine in een afgesloten ruimte opbergt.
- D4. Voorkom brand; houd de machine en de plaats waar u volle jerrycans opbergt schoon (verwijder gras, bladeren en overtollig vet). Sla geen compost o.i.d. op in de nabijheid van de jerrycans en/of de machine.
- D5. Wanneer u de benzinetank wilt aftappen, moet dit buiten gebeuren, met koude motor.
- D6. Controleer het grasvangsysteem regelmatig op slijtage of beschadiging.
- D7. Gebruik de machine niet met beschadigde of versleten onderdelen. Onderdelen moeten worden vervangen, niet gerepareerd. Gebruik altijd originele Honda-onderdelen. Maaimessen moeten zijn voorzien van een Honda-merk en een referentienummer. Niet gelijkwaardige onderdelen kunnen schade veroorzaken aan de machine en uw veiligheid nadelig beïnvloeden.
- D8. Draag werkhandschoenen bij het monteren of demonteren van het mes en het reinigen van het maaidek; blokkeer het mes bij losnemen met een houten blok.
- D9. Slijp het mes zodanig na dat het evenwicht behouden blijft.
- D10. Het verdient aanbeveling, de machine met zijn tweeën te laden en te lossen of hiervoor balken of planken te gebruiken. Vervoer de machine te allen tijde horizontaal, sluit de benzinekraan, neem de kap van de bougie en sjoer de machine vast.



- 1. **Waarschuwing:** lees de gebruikershandleiding voor u deze maaier gebruikt.
- 2. Gevaar voor wegschietende voorwerpen. Houd overige personen uit de buurt tijdens het gebruik van deze maaier.
- 3. Gevaar voor snijwonden. Sneldraaiend mes. Steek uw hand of voet niet in de maaikast. Neem de bougiekap van de bougie voor u onderhoud of reparaties aan de machine uitvoert.
- 4. Niet gebruiken uitwerpkoker je of grasopvangbak.
- 5. De geluiddemper wordt tijdens het bedrijf zeer heet en blijft dat nog enige tijd nadat de motor is uitgeschakeld.
- 6. De uitlaatgassen van de motor bevatten giftig koolmonoxidegas. Laat de motor niet draaien in een omsloten ruimte.
- 7. Benzine is uiterst brandbaar en explosief. Zet de motor uit en laat deze afkoelen voordat u brandstof bijvult.

VEILIGHEIDSTICKERS



A. IDENTIFICATIE VAN DE MACHINE

- 8. Geluidsvermogeniveau de richtlijnen 2000/14/EC, 2005/88/EC
- 9. EG-merkten, volgens richtlijn 2006/42/EC, 2000/14/EC, 2005/88/EC, 2004/108/EC
- 10. Conformiteitsmarkering Russisch
- 11. Nominaal vermogen in kW
- 12. Motortoerental in omw./min.
- 13. Gewicht in kg
- 14. Productiejaar
- 15. Serienummer
- 16. Model - Type
- 17. Naam en adres van de fabrikant

INSTRUCCIONES DE SEGURIDAD



⚠️ ADVERTENCIA :

El incumplimiento de las consignas de seguridad puede originar riesgos de lesiones corporales graves o de deterioro del material. Leer atentamente las instrucciones de seguridad antes de cualquier uso.

FORMACIÓN

- A1. Leer detenidamente las instrucciones del presente manual. Familiarizarse con la correcta utilización y con los mandos del cortacésped antes de utilizarlo. Saber parar rápidamente el motor.
- A2. Utilizar el cortacésped en el uso para el que ha sido destinado, es decir el corte y la recogida del césped. Cualquier otro uso puede resultar peligroso o provocar un deterioro de la máquina.
- A3. No permitir nunca que utilicen el cortacésped niños o personas no conocedoras de estas instrucciones. Es posible que la normativa local determine una edad mínima para el usuario.
- A4. No utilizar el cortacésped cuando: personas, y más concretamente niños, así como animales se encuentren cerca. el usuario haya ingerido medicamentos o productos con conocidos efectos disminuyentes de su capacidad de reflejo y de vigilancia.
- A5. No olvidar que el propietario o el usuario es responsable de los accidentes o de los riesgos en que incurran sus bienes o terceros.

PREPARACIÓN

- B1. Llevar siempre calzado resistente y pantalones largos durante el corte. No utilizar nunca el material estando descalzo o llevando sandalias.
- B2. Inspeccionar minuciosamente la zona a cortar y eliminar todo objeto extraño que pudiera lanzar la máquina, tales como piedras, trozos de madera o de huesos, alambre, etc.
- B3. **¡ATENCIÓN: PELIGRO!** la gasolina es altamente inflamable. Almacenar el carburante en recipientes especialmente previstos para tal efecto. Llenar el depósito solamente a la intemperie y antes de arrancar el motor; no fumar mientras se procede a esta operación o a cualquier manipulación de carburante. No quitar nunca el tapón del depósito de carburante, y sobre todo no llenarlo nunca, mientras el motor esté en marcha o permanezca caliente. No arrancar el motor si se ha derramado gasolina: alejar el cortacésped de la zona en la que se ha derramado el carburante, y no provocar ningún encendido mientras no se haya evaporado el carburante y no se hayan disipado los vapores. Cerrar correctamente el depósito y el recipiente, apretando convenientemente los tapones. Antes de inclinar el cortacésped para intervenir en la cuchilla o sacar el aceite, vaciar la gasolina del depósito.
- B4. Sustituir los silenciadores de escape defectuosos.
- B5. Antes de cada utilización, proceder siempre a una comprobación general de la máquina, y más especialmente de las cuchillas, de los pernos de sujeción y del conjunto de corte para asegurarse de que no se encuentran desgastados ni deteriorados. Sustituir por lotes completos los elementos desgastados o deteriorados, con el fin de preservar el correcto equilibrio de los mismos.

UTILIZACIÓN

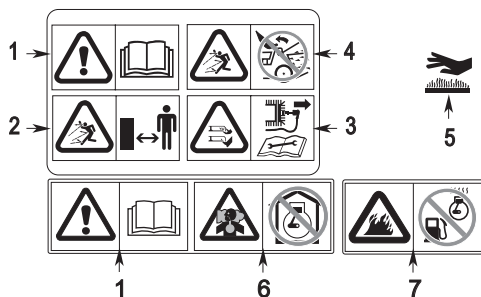
- C1. No hacer funcionar el motor en un recinto cerrado, en el que puedan acumularse los vapores nocivos de monóxido de carbono.
- C2. Cortar sólo a la luz del día o con luz artificial de buena calidad.
- C3. En la medida de lo posible, procurar no cortar césped mojado.
- C4. Durante su utilización, conservar la distancia de seguridad con respecto a la cuchilla, que viene dada por la longitud del manillar.
- C5. No correr nunca, sino andar. No dejarse arrastrar por el cortacésped.
- C6. Afianzar sus pasos en las pendientes, en las cuales se debe andar siempre en sentido transversal y nunca subiendo o bajando.
- C7. Ser muy prudente en los cambios de dirección en terrenos en declive.
- C8. No cortar en laderas de más de 20° de pendiente.
- C9. Tener un especial cuidado cuando se debe arrastrar hacia sí la máquina.
- C10. Parar la cuchilla si se debe inclinar el cortacésped para transportarlo, y en los desplazamientos entre áreas a cortar.

- C11. No utilizar nunca el cortacésped si resultan deteriorados sus protectores o cárteres, o en ausencia de dispositivos de seguridad tales como el deflector o el recogedor.
- C12. No modificar nunca el reglaje del regulador del motor, ni poner a éste en sobrrégimen.
- C13. Antes de arrancar el motor, soltar la cuchilla y al embrague de avance.
- C14. Arrancar el motor con precaución, respetando las instrucciones de uso y manteniendo los pies alejados de la cuchilla.
- C15. No inclinar el cortacésped para ponerlo en marcha. Proceder a esta operación en una superficie llana, exenta de todo tipo de obstáculos y de hierba alta.
- C16. Mantener las manos y los pies alejados de los elementos giratorios. Mantenerse siempre alejado de la tobera de eyección.
- C17. No levantar ni transportar nunca un cortacésped cuyo motor esté funcionando.
- C18. Parar el motor y desconectar el cable de bujía en los siguientes casos: Antes de cualquier intervención debajo del cárter de corte o dentro del túnel de eyección. Antes de cualquier operación de limpieza, de verificación o de reparación del cortacésped. Después de chocar con un objeto extraño, inspeccionar el cortacésped para averiguar si está deteriorado. Efectuar las reparaciones necesarias antes de cualquier nueva utilización de la máquina. Si el cortacésped empezara a vibrar de forma anormal, buscar inmediatamente la causa de tales vibraciones y remediarlas.
- C19. Parar el motor en los siguientes casos: Cada vez que se deba dejar al cortacésped sin vigilancia. Antes de llenar el depósito de carburante.
- C20. Cerrar la alimentación en gasolina.
- C21. La utilización de accesorios distintos a los recomendados por Honda puede causar daños en su cortacésped que no estarán cubiertos por la garantía.

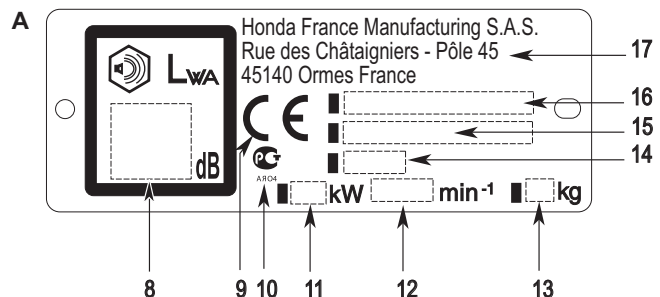
MANTENIMIENTO, ALMACENAMIENTO Y TRANSPORTE

- D1. Mantener apretados todos los tornillos y todas las tuercas con el fin de asegurar condiciones seguras de utilización. Un mantenimiento periódico resulta esencial para la seguridad y para que se mantenga el nivel de prestaciones.
- D2. No almacenar nunca el cortacésped con carburante en el depósito, en un local en el que los vapores de gasolina pudieran alcanzar una llama, una chispa o una fuente de fuerte calor.
- D3. Esperar a que se enfríe el motor antes de guardar la máquina en cualquier local.
- D4. Para reducir los riesgos de incendio, quitar del cortacésped (y más especialmente del motor y del tubo de escape), así como de la zona de almacenamiento, las hojas y briznas de hierba y los restos de grasa. No dejar contenedores de residuos vegetales dentro o cerca de un local.
- D5. Si se debe proceder al vaciado del depósito de carburante, hacerlo fuera y estando frío el motor.
- D6. Comprobar con frecuencia que el equipo de recogida no presenta señal alguna de desgaste o de deterioro.
- D7. No utilizar la máquina con piezas deterioradas o desgastadas. Éstas han de ser substituidas y no reparadas. Usar repuestos de origen Honda. Las cuchillas deben llevar siempre la marca Honda así como la referencia. Piezas que no sean de la misma calidad pueden deteriorar la máquina y perjudicar su seguridad.
- D8. Llevar guantes gruesos para desmontar y montar la cuchilla de corte y para limpiar el cárter de corte. Para apretar o aflojar la hoja, usar una calce de madera para impedir que gire.
- D9. Vigilar que se mantenga equilibrada la cuchilla al afilarla.
- D10. Se recomienda utilizar una rampa de carga o que alguien ayude para cargar o descargar el cortacésped. Transporte el cortacésped horizontalmente, cierre la llave de gasolina, desconecte la bujía y átelo con correas.

ETIQUETAS DE SEGURIDAD



1. **Atención:** leer el manual de explicaciones antes de utilizar el cortacésped.
2. Riesgo de proyecciones. Mantenerse alejado de personas al utilizar el cortacésped.
3. Riesgo de corte. Cuchilla rotativa. No poner las manos ni los pies debajo del cárter de corte. Desconectarse de la bujía antes de proceder a cualquier labor de mantenimiento o reparación en la máquina.
4. No utilizar sin deflector o saco recogedor.
5. El silenciador se calienta mucho durante la operación, y sigue caliente durante cierto tiempo después de haber parado el motor.
6. El motor emite gas monóxido de carbono que es tóxico y venenoso. No lo tenga en marcha en un lugar cerrado.
7. La gasolina es muy inflamable y explosiva. Pare el motor y espere a que se enfríe antes de repostar.



A. IDENTIFICACIÓN DE LA MÁQUINA

8. Nivel de potencia acústica garantizado según los directivas 2000/14/EC, 2005/88/EC
9. Marca de conformidad según los directivas 2006/42/EC, 2000/14/EC, 2005/88/EC, 2004/108/EC
10. Identificativo de conformidad ruso
11. Potencia minimal en kW
12. Régimen de trabajo en rev/min
13. Peso en kilogramos
14. Año de fabricación
15. Número de serie
16. Modelo - Tipo
17. Nombre y dirección del fabricante

Thank you for purchasing your Honda IZY lawnmower.

Honda warrants your new IZY to be free of defects in materials or workmanship for a period of 2 years from the date of purchase (3 months for commercial use). This warranty is in addition to your statutory rights.

However, in the unlikely event that you encounter a problem with your IZY, please contact your original retailer. Should your machine require repair under warranty, you will need to take it to an authorised Honda dealer with either the warranty card or your proof of purchase.

There are, of course, some Terms and Conditions that apply to the Honda IZY warranty. Listed here are items that are not covered:

1. Any damage resulting from neglect of the periodic maintenance specified by Honda.
2. Any damage resulting from repair or maintenance performed by non-authorized Honda service points.
3. Any damage resulting from operating methods other than those indicated in the owner's manual of the product.
4. Any damage resulting from the use of non-genuine Honda parts, other than recommended lubricants and fluids, and accessories other than those approved by Honda.
5. Any damage or deterioration due to natural wear and tear (natural fading of painted or plated surfaces, sheet peeling and other natural deterioration).
6. Consumable parts: Honda does not warrant parts deterioration due to natural wear and tear. The parts listed below are not covered by warranty (unless they are needed as a part of another warranty repair):
 - Spark plug, fuel filter, air cleaner element, brake pad, clutch disc, tyre, wheel, wheel bearing, recoil starter rope, cable, belt, cutting means.
 - Lubricant: oil and grease.
7. Cleaning, adjustment and normal periodic maintenance work (carburetor cleaning, engine oil draining, cutting means sharpening, belt and cables adjustment).
8. Expenses incidental to the warranty claim, including:
 - Compensation for loss of time, commercial loss or rental costs for a substitute product.
 - Costs incurred for transportation to and from the dealership.
9. Any damage resulting from exposure of the product to soot and smoke, chemical agents, bird droppings, sea water, sea breeze, salt or other environmental phenomena.

CONDITIONS D'APPLICATION DE LA GARANTIE HONDA

Nous vous remercions d'avoir acheté une tondeuse IZY Honda.

Honda garantit votre nouvelle IZY contre les défauts et vices cachés pendant une période de 2 ans à compter de la date d'achat (3 mois pour utilisation professionnelle). Cette garantie vient s'ajouter aux droits et à la réglementation de protection des consommateurs, sans enfreindre ni restreindre l'application.

Cependant, si par malchance vous deviez rencontrer un problème avec votre IZY, nous vous recommandons de prendre contact avec le magasin où vous avez effectué votre achat. Si votre tondeuse nécessite une intervention sous garantie, vous devrez l'apporter chez un concessionnaire Honda agréé en vous munissant de votre carte de garantie ou d'une preuve d'achat.

Bien sûr, certaines conditions s'appliquent à la garantie IZY Honda. Sont exclus de la garantie :

1. Tous dommages résultant du non respect des révisions périodiques spécifiées par Honda.
2. Tous dommages résultant de réparations ou d'opérations effectuées hors du Réseau de Réparateurs agréés par Honda.
3. Tous dommages résultant d'opérations autres que celles préconisées dans le manuel de l'utilisateur du matériel.
4. Tous dommages résultant de l'utilisation de pièces autres que des pièces d'origine Honda, des lubrifiants et fluides autres que ceux préconisés par Honda, et des accessoires autres que les accessoires approuvés par Honda.
5. Tous dommages ou détériorations résultant de l'écoulement du temps (décoloration naturelle des surfaces peintes ou chromées, écaillage des revêtements ou toute autre détérioration naturelle).
6. Remplacement de pièces d'usure. Honda ne garantit pas la détérioration des pièces due à une usure courante. Les pièces ci-dessous ne sont pas couvertes par la garantie, sauf si leur remplacement est indispensable à la réparation globale sous garantie:
 - Pièces : bougie, filtre à carburant, élément de filtre à air, plaquette de frein, disque d'embrayage, pneu, roue, roulements de roues, corde de démarreur manuel, câble, courroie, lame.
 - Liquides : huile, graisse.
7. Les opérations de nettoyage, réglages et toutes autres opérations de maintenance périodique (nettoyage du carburateur, vidange de l'huile moteur, affûtage des lames, réglages des câbles et courroies).
8. Les frais annexes engendrés par la réclamation sous garantie, incluant :
 - Compensation pour perte de temps, perte commerciale ou coût d'une location d'un matériel de substitution.
 - Coûts du transport aller et retour du matériel chez le concessionnaire.
9. Tous dommages causés par une exposition du matériel à la suie, la fumée, aux produits chimiques, aux déjections d'oiseaux, à l'eau de mer, au vent marin, au sel ou à tout autre phénomène dû à l'environnement.

HONDA-GARANTIEBEDINGUNGEN

1. Honda Motor garantiert dem Endabnehmer eines von ihr importierten, fabrikneuen Honda-Motorgerätes der Produktbereiche "Garten", "Profil" und "Marine" eine dem jeweiligen Stand der Technik entsprechende Fehlerfreiheit in Werkstoff und Werkarbeit. Demgemäß wird Honda den Endabnehmer von den Kosten der Betsitigung eines Werkstoff- oder Werkarbeitsfehlers durch einen Honda- Vertragshändler oder eine zur Erbringung von Honda- Garantieleistungen autorisierte Werkstatt freihalten (Garantieanspruch). Diese Freihaltungsverpflichtung gilt nicht für alle durch einen Garantiefall veranlaßten Nebenkosten und sonstigen finanziellen Nachteile (wie zum Beispiel Kosten für Abschleppen, Telekommunikation, Verpflegung, Unterkunft, Leihwagen, öffentliche Verkehrsmittel etc. oder finanzielle Nachteile durch Zeitverlust und dergleichen).
2. Die Garantie endet mit Ablauf von 24 Monaten ab dem Tag der Übergabe an den Endabnehmer, ausgenommen der Honda-Motorgeräte, welche auch nur vorübergehend für behördliche oder gewerbliche Zwecke genutzt werden. In diesen Fällen endet die Garantie mit Ablauf von 12 Monaten und für Motorgeräte mit Motoren der Klassifizierung „GC und GCV“ mit Ablauf von 3 Monaten ab dem Tag der Übergabe an den Endabnehmer. Fehler, die mit Ablauf dieser Fristen nicht bei einem Honda Vertragshändler oder einer zur Erbringung von Honda- Garantieleistungen autorisierten Werkstatt angemeldet worden sind, begründen keinen Garantieanspruch. Der jeweilige Garantieanspruch verjährt mit Ablauf von 6 Monaten nach der Entdeckung des Fehlers.
3. Von der Garantie ausgeschlossen sind Filterelemente, Glasscheiben, Glühlampen, Zündkerzen, Reifen, Reibbeläge und sonstige Verschleißteile sowie jegliches nicht zur Serienausstattung gehörende Zubehör.
4. Ob fehlerhafte Teile instandgesetzt oder ausgetauscht werden, entscheidet Honda. Ausgetauschte Teile gehen entschädigungslos in das Eigentum von Honda über. Der mit der Fehlerbeseitigung beauftragte Honda-Vertragshändler bzw. die entsprechende Werkstatt haben keine Vollmacht, im Namen von Honda rechtsverbindliche Erklärungen abzugeben.
5. Honda ist berechtigt, die Erfüllung von Garantieansprüchen zu verweigern, wenn und soweit
 - a. der von dem Endabnehmer mit der Fehlerbeseitigung beauftragte Honda- Vertragshändler bzw. die entsprechende Werkstatt keinen ordnungsgemäß ausgefüllten Garantieantrag eingereicht haben,
 - b. vorschriftswidrige Behandlung, insbesondere Überbeanspruchung des Kaufgegenstandes durch den Endabnehmer dazu geführt haben, daß aus einem Werkstoff oder Werksarbeitsfehler ein Schaden am Kaufgegenstand entstanden ist,
 - c. der Endabnehmer auch nur eine der in der Bedienungsanleitung vorgeschriebenen Inspektionen nicht oder zu spät hat vornehmen lassen, und zwar auch dann, wenn der Fehler schon vor dem vorgeschriebenen Zeitpunkt der versäumten oder verspäteten Inspektion aufgetreten ist,
 - d. der Endabnehmer eine in der Bedienungsanleitung vorgeschriebene Inspektion oder Reparatur von einer Werkstatt hat vornehmen lassen, die nicht von einem Honda-Vertragshändler betrieben wird bzw. weder von Honda noch im Rahmen des europäischen Honda-Vertriebsnetzes zur Durchführung derartiger Arbeiten autorisiert worden ist,
 - e. der Endabnehmer wichtige Hinweise in der Bedienungsanleitung und insbesondere Sicherheitshinweise nicht beachtet hat,
 - f. der Kaufgegenstand in irgendeiner Weise umgebaut, modifiziert oder mit Teilen oder Zubehörartikeln ausgerüstet worden ist, die nicht zu der von Honda ausdrücklich zugelassenen oder empfohlenen Ausstattung gehören, oder bei der Wartung oder Reparatur des Kaufgegenstandes andere als Original-Ersatzteile verwendet worden sind,
 - g. der Kaufgegenstand bei Motorsport-Veranstaltungen eingesetzt worden ist, es sei denn, daß der Endabnehmer in den Fällen c) bis g) beweist, daß der zur Ablehnung des Garantieanspruches berechtigte Tatbestand die Entwicklung des Fehlers nicht begünstigt hat.
6. Neben den Ansprüchen aus dieser Garantie hat der Endabnehmer gesetzliche Gewährleistungsansprüche aus seinem Kaufvertrag mit dem jeweiligen Händler, welche durch diese Garantie nicht eingeschränkt werden.

CONDIZIONI DI GARANZIA HONDA

IT

Congratulazioni per aver acquistato un rasaerba Honda IZY.

Honda garantisce il Suo nuovo IZY immune da difetti di materiale e di costruzione per un periodo di 2 anni dalla data d'acquisto (3 mesi per uso professionale). Questa garanzia non interferisce con i Suoi diritti di legge ed è in aggiunta ad essi.

Comunque, nel caso ci sia un problema con il Suo IZY, La preghiamo di contattare il rivenditore. Qualora il rasaerba avesse bisogno di un intervento in regime di garanzia, sarà necessario portarlo presso un centro assistenza autorizzato Honda accompagnato dal certificato di garanzia o da una prova d'acquisto.

Naturalmente, ci sono alcune Condizioni e Limitazioni nell'applicazione della garanzia di Honda IZY. I seguenti punti non sono coperti dalla garanzia Honda.

1. Per ogni danno risultante da negligenza nella manutenzione periodica specificata da Honda.
2. Per ogni danno risultante da riparazioni o manutenzioni effettuate da centri assistenza non autorizzati Honda.
3. Per ogni danno risultante da metodi d'utilizzo diversi da quelli indicati nel libretto d'uso e manutenzione del prodotto.
4. Per ogni danno risultante da uso di ricambi non originali, carburanti, lubrificanti e accessori diversi da quelli approvati da Honda.
5. Per ogni danno causato dal tempo (sbiadimento naturale delle superfici verniciate, cromate, adesivi distaccati ed altre deteriorazioni naturali).
6. Materiali di consumo: La Honda non riconosce in garanzia parti deteriorate da naturale consumo e usura. Le seguenti parti non sono coperte da garanzia (salvo che non siano necessarie come parte di un intervento di garanzia):
 - Parti: Candela, filtro benzina, elemento filtro aria, pastiglie freno, disco frizione, gomme, ruote, cuscinetti ruota, fune d'avviamento, cavi, cinghia, lama.
 - Lubrificanti: olio e grasso.
7. Pulizia del prodotto, regolazioni e altri lavori di manutenzione periodica (pulizia carburatore, sostituzione olio motore, affilatura lama, regolazione cinghia e cavi).
8. Spese accessorie per l'intervento in garanzia, comprese:
 - Risarcimenti per mancato utilizzo, perdite economiche o costi di noleggio per prodotti sostitutivi.
 - Spese di trasporto da e per il centro assistenza.
9. Per ogni danno causato da esposizione del prodotto a fuliggine e fumo, agenti chimici, deiezioni di volatili, acqua di mare, salsedine, sale o altri fenomeni ambientali.

HONDA GARANTIE VOORWAARDEN

NL

Wij willen u bedanken voor het kopen van een Honda IZY gazonmaaier.

Honda verleent 2 jaar garantie op uw nieuwe Honda IZY gazonmaaier, gerekend vanaf de aankoopdatum (3 maanden bij professioneel gebruik). Deze garantie dekt de kostbezee reparatie van alle voorkomende materiaal- en constructiefouten welke in deze periode aan het licht komen. Deze garantie is een toevoeging op de wettelijke rechten welke u als konsument heeft.

Neem, indien zich met uw maaier een probleem voordoet, contact op met het bedrijf waar u de maaier heeft gekocht. Hier kan men u adviseren betreffende de Honda garanti voorwaarden en hoe verder te handelen. Breng voor reparatie onder garantie uw maaier naar een officiële Honda gazonmaaierdealer samen met de garantie kaart en het aankoopbewijs.

Er zijn een aantal voorwaarden: Het volgende wordt in ieder geval niet gedekt door de Honda garantie.

1. Enige schade als gevolg van het niet uitvoeren van onderhoud zoals voorgeschreven volgens het onderhoudsschema.
2. Enige schade als gevolg van een reparatie of onderhoud door een niet als Honda dealer aangesteld bedrijf.
3. Enige schade als het gevolg van onoordeelkundig gebruik of gebruik anders als dan aangegeven in de gebruikers handleiding.
4. Enige schade als gevolg van het gebruik van niet originele onderdelen, het gebruik van niet aanbevolen vloeistoffen of smeermiddelen en niet door Honda goedgekeurde accessoires.
5. Enige schade of achteruitgang als gevolg van de natuurlijke veroudering (verkleuring, verdroging enz).
6. Normale consumptie onderdelen: Honda Geeft geen garantie op normale slijtage. Onderstaande onderdelen worden niet gedekt door de garantie, tenzij ze deel uitmaken van een reparatie onder garantie.
 - Onderdelen: Bougie, brandstoffilter, luchtfilter, remblokken, koppelingsplaten, banden, wielen, wiellagers, startkoord, kabels, snaren.
 - Vloeistoffen: Olie, vet.
7. Reinigen, inspectie, afstellen en ander periodiek onderhoud (karburateur schoonmaken, olie verversen, messen slijpen, afstellen van kabels en V-snaren).
8. Niet door de garantie gedekte kosten, zoals:
 - Kompensatie voor verloren tijd, commerciële verliezen of huur voor vervangende apparaten.
 - Vervoerskosten van en naar de dealerwerkplaats.
9. Enige schade als gevolg van blootstelling aan roet of rook, chemische stoffen vogelpoep, zeewater of lucht, zout of enig ander natuurlijk verschijnsel.

CONDICIONES DE GARANTÍA HONDA

ES

Felicidades por la compra de su cortacésped Honda.

Honda le garantiza cualquier defecto de material y la mano de obra por un período de 2 años a partir de la fecha de compra (3 meses para uso profesional). Esta garantía no afecta sus derechos establecidos por ley, sino que se añade a ellos.

De todas maneras, en caso de surgir cualquier problema y precisara reparar Su cortacésped en garantía, por favor dirijase al distribuidor a través del cual lo adquirió. Él mismo le aconsejará acerca de cómo proceder y le informará de las condiciones de garantía Honda. Tenga presente que para cualquier reparación en garantía debe llevar su cortacésped a un taller autorizado con el correspondiente carnet de garantía o un justificante de compra.

La garantía no cubrirá las siguientes reclamaciones :

1. Cualquier daño ocasionado por la falta de mantenimiento especificado por Honda.
2. Cualquier daño resultante de una reparación o mantenimiento que no haya sido llevado a cabo por un Servicio Honda autorizado.
3. Cualquier daño ocasionado por un manejo inadecuado y no especificado en el manual de usuario.
4. Cualquier daño ocasionado por el uso de recambio no original, carburantes, aceites y accesorios distintos a los recomendados por Honda.
5. Cualquier daño o deterioro debido al paso del tiempo (decoloración de la pintura, chapa o cualquier otro deterioro natural)
6. Piezas sujetas a desgaste por el uso: Honda no garantiza las piezas deterioradas por el uso. Las piezas aquí detalladas no están cubiertas por la garantía a menos que sean necesarias como piezas en una reparación en garantía :
 - Piezas : bujía, filtro gasolina, filtro aire, ferodos de freno, disco de embrague, neumáticos, rueda, cojinetes de ruedas, cuerda de arranque, cables, correa, cuchilla.
 - Fluidos: Aceite, grasa
7. Limpieza, ajustes y otras tareas de mantenimiento periódico (limpieza del carburador, cambio de aceite, ajuste de cables y correas, afilar cuchillas)
8. Gastos fortuitos causados por la reparación en garantía, incluidos:
 - Gastos ocasionados por la inmovilización de la máquina.
 - Costes debidos al transporte de la máquina
9. Cualquier daño resultante de la exposición de la máquina a humo, hollín, productos químicos, brisa marina, agua de mar, sal o cualquier fenómeno ambiental.

TECHNICAL SPECIFICATIONS SPECIFICATIONS TECHNIQUES TECHNISCHE DATEN

EN	FR	DE	HRG416		HRG466			
			PKEA	SKEA	PKEA	SKEA	SKEX	
Dimensions	Dimensions	Abmessungen	(mm)	1415x453 x980	1440x453 x980	1445x497 x980	1470x497 x980	1470x497 x980
Dry weight	Poids à vide	Leergewicht	(kg)	28	30	29	31	32
Cutting width	Largeur de coupe	Schnittbreite	(cm)	41		46		
Cutting heights settings	Réglage de hauteur de coupe	Schnitthöhenverstellung	(mm)	6 (20 ~ 74)				
Grass catcher capacity	Capacité du sac à herbe	Grassack-Volumen	(ℓ)	50		55		
Engine: 4 stroke, overhead camshaft, 1 cylinder	Moteur : Monocylindre 4 temps à arbre à came en tête	Motor: 4-Takt Einzylindermotor mit vertikaler Kurbelwelle und seitlichen Ventilen		GCV160A				
Net power (*)	Puissance nette (*)	Nettleistung (*)	(kW/rpm)	3.3 / 3600				
Nominal power	Puissance nominale	Nennleistung	(kW/rpm)	2.8 / 2900		2.7 / 2800		
Operating engine speed	Régime d'utilisation du moteur	Betriebsdrehzahl	(rpm)	2900 ⁻¹⁰⁰		2800 ⁻¹⁰⁰		
Forward speed	Vitesse d'avancement	Fahrgeschwindigkeit	(m/s)	0.92		0.89		
Fuel tank capacity	Capacité du réservoir d'essence	Tankinhalt	(ℓ)	0.91				
Fuel consumption	Consommation d'essence	Verbrauch	(ℓ/h)	1.1				
Running time on tank of fuel (*)	Autonomie (*)	Betriebsstunden (*)	(h)	0.8				
Engine oil capacity	Capacité huile moteur	Motorölmenge	(ℓ)	0.5				
Sound pressure level at operator's ears (in accordance with EN ISO 5395-1:2013)	Niveau de pression acoustique au poste de conduite (selon directives EN836: 1997 + A4: 2011)	Schalldruckpegel am Ohr des Bedieners (nach Richtlinien EN836: 1997 + A4: 2011)	dB(A)	79.5	81.2	81.4	82.3	
Measuring uncertainty	Incertitude de mesure	Messunsicherheit	dB(A)	1				
Measured sound power (in accordance with directives 2000/14/EC, 2005/88/EC)	Puissance acoustique mesurée (selon directives 2000/14/EC, 2005/88/EC)	Gemessener Schalleistungspegel (nach Richtlinien 2000/14/EC, 2005/88/EC)	dB(A)	92	94	93	94	
Measuring uncertainty	Incertitude de mesure	Messunsicherheit	dB(A)	1				
Sound power level guaranteed (in accordance with directives 2000/14/EC, 2005/88/EC)	Niveau de puissance acoustique garanti (selon directives 2000/14/EC, 2005/88/EC)	Garantierter schalleistungspegel (nach Richtlinien 2000/14/EC, 2005/88/EC)	dB(A)	93	94		95	
Vibration test (in accordance with EN ISO 5395-1:2013)	Mesure de vibrations (selon directives EN836: 1997 + A4: 2011, EN12096 - D: 1997)	Schwingungsprüfung (nach Richtlinien EN836: 1997 + A4: 2011, EN12096 - D: 1997)	m/s ²	3.94	3.75	2.75	3.73	
Measuring uncertainty	Incertitude de mesure	Messunsicherheit	m/s ²	0.95	1.14	0.73	1.66	

(*) The power rating of the engine indicated in this document is the net power output tested on a production engine for the engine model GCV160A and measured in accordance with SAE J1349 at 3600 rpm (Net Power). Mass production engines may vary from this value. Actual power output for the engine installed in the final machine will vary depending on numerous factors, including the operating speed of the engine in application, environmental conditions, maintenance, and other variables.

(*) La puissance nominale du moteur indiquée dans le présent document est la puissance nette testée sur un exemplaire de série du moteur modèle GCV135 et mesurée conformément à la norme SAE J1349 à 3600 tr/min (Puissance nette). Les moteurs produits en grande série peuvent présenter des valeurs différentes. La puissance effective du moteur installé sur la tondeuse peut varier en fonction de nombreux facteurs, notamment du régime de rotation du moteur en cours d'utilisation, des conditions d'ambiance, de l'entretien et d'autres variables.

(*) Bei der im vorliegenden Dokument genannten Motor-Nennleistung handelt es sich um die bei der Prüfung eines Motors aus der Fertigung abgegebene Nutzleistung des Motormodells GCV135, die gemäß SAE J1349 bei 3600 U/min (Nutzleistung) Motoren der Serienfertigung können von diesem Wert abweichen. Die tatsächlich von dem im endgültigen Gerät eingebauten Motor abgegebene Leistung hängt von zahlreichen Faktoren ab, wie der Einsatzdrehzahl des Motors, den Umgebungsbedingungen, der Instandhaltung und anderem.

SPECIFICHE TECNICHE TECHNISCHEGEGEVENS ESPECIFICACIONES TECNICAS

IT	NL	ES	HRG416		HRG466			
			PKEA	SKEA	PKEA	SKEA	SKEX	
Dimensioni	Afmetingen	Dimensiones	(mm)	1415x453 x980	1440x453 x980	1445x497 x980	1470x497 x980	1470x497 x980
Peso a vuoto	Ledig gewicht	Peso en vacío	(kg)	28	30	29	31	32
Larghezza di taglio	Maai breedte	Anchura de corte	(cm)	41		46		
Registrazione dell'altezza di taglio	Maaihoogte verstelbaar	Reglajes de altura de corte	(mm)	6 (20 ~ 74)				
Capacità sacco di raccolta	Inhoud grasvangzak	Capacidad de la bolsa de recogida	(ℓ)	50		55		
Motore 4 tempi con valvole in testa, monocilindrico	4-Takt, 1 cilinder verticale kopklepmotor	Motor de 4 tiempos, válvulas en cabeza, 1 cilindro		GCV160A				
Potenza netta (*)	Nettovermogen (*)	Potencia netta (*)	(kW/rpm)	3.3 / 3600				
Potenza nominale	Nominaal vermogen	Potencia nominal	(kW/rpm)	2.8 / 2900		2.7 / 2800		
Velocità di rotazione motore di esercizio	Bedrijfsroental	Velocidad de utilización	(rpm)	2900 ⁻¹⁰⁰		2800 ⁻¹⁰⁰		
Velocità di avanzamento	Voorwaartse snelheid	Velocidad de avance	(m/s)	0.92		0.89		
Capacità del serbatoio carburante	Inhoud benzinetank	Capacidad del depósito de gasolina	(ℓ)	0.91				
Consumo di carburante	Verbruik	Consumo gasolina	(ℓ/h)	1.1				
Autonomia (*)	Gebruk op één tank Benzine (*)	Autonomia (*)	(h)	0.8				
Capacità olio motore	Hoeveelheid motor olie	Capacidad aceite motor	(ℓ)	0.5				
Livello di potenza acustica sul posto di guida (secondo direttive EN836: 1997 + A4: 2011)	Geluidsdruk op oorhoogte (overeenkomstig de richtlijnen EN836: 1997 + A4: 2011)	Nivel de presión acústica en el puesto de conducción (según directivas EN836: 1997 + A4: 2011)	dB(A)	79.5	81.2	81.4	82.3	
Incertezza di misura	Meetonzekerheid	Incertidumbre de medida	dB(A)	1				
Livello di potenza sonora misurata (secondo direttive 2000/14/EC, 2005/88/EC)	Gemeten geluidsvermogen (overeenkomstig de richtlijnen 2000/14/EC, 2005/88/EC)	Potencia medida sonido según directivas 2000/14/EC, 2005/88/EC)	dB(A)	92	94	93	94	
Incertezza di misura	Meetonzekerheid	Incertidumbre de medida	dB(A)	1				
Livello di potenza acustica garantita (secondo direttive 2000/14/EC, 2005/88/EC)	Gewaardborgd geluidsvermogensniveau (overeenkomstig de richtlijnen 2000/14/EC, 2005/88/EC)	Nivel de potencia acústica garantizado (según directivas 2000/14/EC, 2005/88/EC)	dB(A)	93	94		95	
Misura di vibrazioni (secondo direttive EN836: 1997 + A4: 2011, EN12096 - D: 1997)	Trillingstest (overeenkomstig EN836: 1997 + A4: 2011, EN12096 - D: 1997)	Niveles de vibración (según directivas EN836: 1997 + A4: 2011, EN12096 - D: 1997)	m/s ²	3.94	3.75	2.75	3.73	
Incertezza di misura	Meetonzekerheid	Incertidumbre de medida	m/s ²	0.95	1.14	0.73	1.66	

(*) La potenza nominale del motore indicata nel presente documento corrisponde alla potenza netta erogata, testata su un motore di serie per il modello GCV135 e misurata in base a quanto previsto dalla normativa SAE J1349 a 3600 giri/min. (potenza netta). I motori destinati alla produzione di massa possono discostarsi da questo valore. La potenza effettiva erogata dal motore installato sulla macchina finale varierà in funzione di numerosi fattori, tra cui la velocità operativa del motore in applicazione, le condizioni ambientali, la manutenzione ed altre variabili.

(*) Het nominale vermogen van de motor in dit document is het nettovermogen gemeten volgens SAE J1349 en geleverd met een productiemachine GCV135 bij 3600 omw./min. Massaproductiemotoren kunnen hiervan afwijken. Het uiteindelijke vermogen is afhankelijk van vele factoren, zoals bedrijfsroental, omgevingscondities, onderhoud e.d.

(*) La clasificación de potencia del motor al que se hace referencia en este documento corresponde a la potencia producida neto probada en un motor a la venta para el modelo GCV135 y medida de acuerdo con la norma SAE J1349 a 3.600 rev/min (potencia neta). Los motores de fabricación en serie pueden ofrecer valores distintos. La potencia producida real para el motor instalado en la máquina final variará dependiendo de numerosos factores, entre ellos la velocidad de funcionamiento del motor durante su utilización, las condiciones medioambientales, el mantenimiento y otras variables.

EN Major Honda distributor addresses
FR Adresses des principaux concessionnaires Honda
DE Adressen der wichtigsten Honda-Haupthändler
IT Elenco dei maggiori distributori Honda in Europa
NL Adressen van Honda-importeurs
ES Direcciones de los principales concesionarios Honda

AUSTRIA

Honda Austria Branch of Honda Motor Europe Ltd.
 Hondastraße 1
 2351 Wiener Neudorf
 Tel. : +43 (0)2236 690 0
 Fax : +43 (0)2236 690 480
 http://www.honda.at
 ✉ HondaPP@honda.co.at

BALTIC STATES

(Estonia / Latvia / Lithuania)
Honda Motor Europe Ltd. Eesti filiaal
 Tulika 15/17
 10613 Tallinn
 Tel. : +372 6801 300
 Fax : +372 6801 301
 ✉ honda.baltic@honda-eu.com

BELGIUM

Honda Motor Europe Ltd. Belgian Branch
 Doornveld 180-184
 1731 Zellik
 Tel. : +32 2620 10 00
 Fax : +32 2620 10 01
 http://www.honda.be
 ✉ BH_PE@HONDA-EU.COM

BULGARIA

Kirov Ltd.
 49 Tsaritsa Yoana blvd
 1324 Sofia
 Tel. : +359 2 93 30 892
 Fax : +359 2 93 30 814
 http://www.hondakisgepek.hu
 ✉ honda@kirov.net

CROATIA

Hongoldonia d.o.o.
 Vrbaska 1c
 31000 Osijek
 Tel. : +38531320420
 Fax : +38531320429
 http://www.hongoldonia.hr
 ✉ prodaja@hongoldonia.hr

CYPRUS

Alexander Dimitriou & Sons Ltd.
 162, Yiannos Kranidiotis Avenue
 2235 Latsia, Nicosia
 Tel. : + 357 22 715 300
 Fax : + 357 22 715 400

CZECH REPUBLIC

BG Technik cs, a.s.
 U Zavodiste 251/8
 15900 Prague 5 - Velka Chuchle
 Tel. : +420 2 838 70 850
 Fax : +420 2 667 111 45
 http://www.honda-stroje.cz

DENMARK

TIMA A/S
 Tåmfalkevej 16
 2650 Hvidovre
 Tel. : +45 36 34 25 50
 Fax : +45 36 77 16 30
 http://www.hondapower.dk

FINLAND

OY Brandt AB.
 Tuupakantie 7B
 01740 Vantaa
 Tel. : +358 207757200
 Fax : +358 9 878 5276
 http://www.brandt.fi

FRANCE

Honda Motor Europe Ltd.
 Division Produit d'Équipement
 Parc d'activités de Pariest, Allée du 1er mai
 Croissy Beaubourg BP46, 77312 Marne
 La Vallée Cedex 2
 Tél. : 01 60 37 30 00
 Fax : 01 60 37 30 86
 http://www.honda.fr
 ✉ espace-client@honda-eu.com

GERMANY

Honda Deutschland Niederlassung der Honda Motor Europe Ltd.
 Hanauer Landstraße 222-224
 D-60314 Frankfurt
 Tel. : 01805 20 20 90
 Fax. : +49 (0)69 83 20 20
 http://www.honda.de
 ✉ info@post.honda.de

GREECE

Saracakis Brothers S.A.
 71 Leoforos Athinon
 10173 Athens
 Tel. : +30 210 3497809
 Fax : +30 210 3467329
 http://www.honda.gr
 ✉ info@saracakis.gr

HUNGARY

Motor Pedo Co., Ltd.
 Kamaraderdei ut 3.
 2040 Budaors
 Tel. : +36 23 444 971
 Fax : +36 23 444 972
 http://www.hondakisgepek.hu
 ✉ info@hondakisgepek.hu

ICELAND

Bernhard ehf.
 Vatnagarðar 24-26
 104 Reykjavík
 Tel. : +354 520 1100
 Fax : +354 520 1101
 http://www.honda.is

IRELAND

Two Wheels Ltd.
 M50 Business Park, Ballymount
 Dublin 12
 Tel. : +353 1 4381900
 Fax : +353 1 4607851
 http://www.hondaireland.ie
 ✉ Service@hondaireland.ie

ITALY

Honda Italia Industriale S.p.A.
 Via della Cecchignola, 13
 00143 Roma
 Tel. : +848 846 632
 Fax : +39 065 4928 400
 http://www.hondaitalia.com
 ✉ info.power@honda-eu.com

MALTA

The Associated Motors Company Ltd.
 New Street in San Gwakkinn Road
 Mriehel Bypass, Mriehel QRM17
 Tel. : +356 21 498 561
 Fax : +356 21 480 150

NETHERLANDS

Honda Motor Europe Ltd.
 Afd, Power Equipment Capronilaan 1
 1119 NN Schiphol-Rijk
 Tel. : +31 20 7070000
 Fax : +31 20 7070001
 http://www.honda.nl

NORWAY

Berema AS
 P.O. Box 454
 1401 Ski
 Tel. : +47 64 86 05 00
 Fax : +47 64 86 05 49
 http://www.berema.no
 ✉ berema@berema.no

POLAND

Aries Power Equipment Sp. z.o.o.
 ul. Wroclawska 25
 01-493 Warszawa
 Tel. : +48 (22) 861 43 01
 Fax : +48 (22) 861 43 02
 www.ariespower.pl, www.mojahonda.pl
 ✉ info@ariespower.pl

PORTUGAL

GROW Produtos de Forca Portugal
 Rua Fontes Pereira de Melo 16
 Abrunheira, 2714-506 Sintra
 Tel. : +351 211 303 000
 Fax : +351 211 303 003
 http://www.grow.com.pt
 ✉ abel.leiriao@grow.com.pt

REPUBLIC OF BELARUS

Scanlink Ltd.
 Kozlova Drive, 9
 220037 Minsk
 Tel. : +375 172 999090
 Fax : +375 172 999900
 http://www.hondapower.by

ROMANIA

Hit Power Motor Srl
 str. Vasile Stroescu nr. 12, Camera 6, Sector 2
 021374 Bucuresti
 Tel. : +40 21 637 04 58
 Fax : +40 21 637 04 78
 http://www.honda.ro
 ✉ hit_power@honda.ro

RUSSIA

Honda Motor RUS LLC
 1, Pridirizhnaya Street, Sharapovo settlement,
 Naro-Fominsky district,
 Moscow Region, 143350 Russia
 Tel. : +7(495) 745 20-80
 Fax : +7 (495) 745 20 81
 http://www.honda.co.ru
 ✉ postoffice@honda.co.ru

SERBIA & MONTENEGRO

BPP Group d.o.o.
 Generala Horvatovica 68
 11000 Belgrade
 Tel. : +381 11 3820 295
 Fax : +381 11 3820 296
 http://www.hondasrbija.co.rs
 ✉ honda@bazis.co.rs

SLOVAK REPUBLIC

Honda Motor Europe Ltd. Slovensko, organizačná zložka
 Prievozská 6 821 09 Bratislava
 Tel. : +421 2 32131112
 Fax : +421 2 32131111
 http://www.honda.sk

SLOVENIA

AS Domzale Moto Center D.O.O.
 Blatnica 3A
 1236 Trzin
 Tel. : + 386 1 562 22 62
 Fax : + 386 1 562 37 05
 www.honda-as.com
 ✉ informacije@honda-as.com

SPAIN & LAS PALMAS PROVINCE

(Canary Islands)
Greens Power Products, S.L.
 Poligono Industrial Congost -
 Av Ramon Ciurans n°2
 08530 La Garriga - Barcelona
 Tel. : +34 93 860 50 25
 Fax : +34 93 871 81 80
 http://www.hondaencasa.com

SWEDEN

Honda Motor Europe Ltd. filial Sverige
 Box 31002-Långhusgatan 4
 215 86 Malmö
 Tel. : +46 (0)40 600 23 00
 Fax : +46 (0)40 600 23 19
 http://www.honda.se
 ✉ hpesinfo@honda-eu.com

SWITZERLAND

Honda Motor Europe Ltd., Slough Succursale de Satigny/Genève
 Rue de la Bergère 5
 1242 Satigny
 Tel. +41 (0)22 989 05 00
 Fax +41 (0)22 989 06 60
 http://www.honda.ch

TENERIFE PROVINCE

(Canary Islands)
Automocion Canarias S.A.
 Carretera General del Sur, KM. 8,8
 38107 Santa Cruz de Tenerife
 Tel. : +34 (922) 620 617
 Fax : +34 (922) 618 042
 http://www.aucasa.com
 ✉ ventas@aucasa.com
 ✉ taller@aucasa.com

TURKEY

Anadolu Motor Uretim ve Pazarlama AS
 Esentepe mah. Anadolu
 cad. No: 5
 Kartal 34870 Istanbul
 Tel. : +90 216 389 59 60
 Fax : +90 216 353 31 98
 http://www.anadolumotor.com.tr
 ✉ antor@antor.com.tr

UKRAINE

Honda Ukraine LLC
 101 Volodymyrska Str. - Build. 2
 Kyiv 01033
 Tel. : +380 44 390 14 14
 Fax : +380 44 390 14 10
 http://www.honda.ua
 ✉ CR@honda.ua

UNITED KINGDOM

Honda Motor Europe Ltd.
 470 London Road
 Slough - Berkshire, SL3 8QY
 Tel. : +44 (0)845 200 8000
 http://www.honda.co.uk

"EC Declaration of Conformity" CONTENT OUTLINE
"CE-Déclaration de conformité" DESCRIPTION DE TABLE DES MATIERES
"EU-Konformitätserklärung" INHALTSÜBERSICHT
DESCRIPCIÓN GENERAL DEL CONTENIDO DE LA "Declaración de Conformidad CE"
DESCRIZIONE DEL CONTENUTO DELLA "Dichiarazione CE di Conformità"

EC Declaration of Conformity

- The undersigned, Hiroki Chubachi, representing the manufacturer, herewith declares that the machinery described below fulfils all the relevant provisions of:
 - Directive 2006/42/EC on machinery
 - Directive 2004/108/EC on electromagnetic compatibility
 - Directive 2000/14/EC – 2005/88/EC on outdoor noise

- Description of the machinery
 - Generic denomination: Pedestrian-controlled lawnmower
 - Function: Cutting of grass

c) Commercial name	d) Type	e) Serial number
*1	*1	

- Manufacturer and able to compile the technical documentation
 Honda France Manufacturing S.A.S.
 Pôle 45 – Rue des Châtagniers
 45140 ORMES - FRANCE

4. References to harmonized standards	5. Other standards or specifications
EN ISO 14982 :2009 EN ISO 5395-1 :2013 EN ISO 5395-2 :2013	N/A

- Outdoor noise Directive

- Measured sound power dB(A): *1
- Guaranteed sound power dB(A): *1
- Noise parameter: *1
- Conformity assessment procedure: ANNEX VI
- Notified body: IRSTEA Notify body 0388
1 rue Pierre Gilles de Gennes
CS 10030 – 92761 Antony Cedex
ORMES – FRANCE

- Done at:
- Date:

Hiroki Chubachi
 President
 Honda France Manufacturing S.A.S.

*1: see specification page.
 *1: voir page de spécifications
 *1: Siehe Spezifikationen-Seite
 *1: consulte la página de las especificaciones
 *1: vedi la pagina delle caratteristiche tecniche

French (French)	Italian (Italian)	Dansk (Danish)	Ελληνικά (Greek)	Română (Romanian)	Svenska (Swedish)	Spanish (Spanish)
<p>French (French) Déclaration CE de Conformité</p> <ol style="list-style-type: none"> Le soussigné, Hiroki Chubachi, représentant du constructeur, déclare que la machine décrite ci-dessous répond à toutes les dispositions applicables de: <ul style="list-style-type: none"> * Directive 2006/42/CE sur la compatibilité électromagnétique * Directive 2004/108/CE sur la compatibilité sonore dans l'environnement des matériels destinés à être utilisés à l'extérieur des bâtiments Description de la machine <ol style="list-style-type: none"> Dénomination générale : Tondeuses à gazon à conducteur à pied Fonction : couper de l'herbe (tondre) Nom Commercial Numéro de série Constructeur et en charge des éditions de documentation techniques Référence aux normes harmonisées Autres normes et spécifications Directive des émissions sonores dans l'environnement des matériels destinés à être utilisés à l'extérieur des bâtiments <ol style="list-style-type: none"> Puissance acoustique mesurée Puissance acoustique garantie Paramètre du bruit Procédure d'évaluation de conformité Organisme notifié Fait à Date 	<p>Italian (Italian) Dichiarazione CE di Conformità</p> <ol style="list-style-type: none"> Il sottoscritto, Hiroki Chubachi, in rappresentanza del costruttore, dichiara qui di seguito che la macchina sotto descritta soddisfa tutte le disposizioni pertinenti delle: <ul style="list-style-type: none"> * Direttiva macchina 2006/42/CE * Direttiva 2004/108/CE sulla compatibilità elettromagnetica * Direttiva sulla emissione acustica delle macchine e attrezzature destinate a funzionare all'aperto Descrizione della macchina <ol style="list-style-type: none"> Denominazione generica : Tosaerba con operatore al seguito Funzione : Taglio di erba Denominazione commerciale Numero di serie Costruttore e competente per la compilazione della documentazione tecnica Riferimento agli standard armonizzati Altri standard o specifiche Direttiva sulla emissione acustica delle macchine e attrezzature destinate a funzionare all'aperto <ol style="list-style-type: none"> Livello di potenza sonora misurato Parametri emissione acustica Procedura di valutazione della conformità Organismo notificato Fatto a Data 	<p>Dansk (Danish) EU OVERENSSTEMMELSESKLÆRING</p> <ol style="list-style-type: none"> UNDERTEGNEDE Hiroki Chubachi, SOM REPRÆSENTANTER FOR PRODUKTET, ERKLÆRER HERMED AT MASKINEN, SOM ER BESKRIVET NEDENFOR, OPFYLDER ALLE RELEVANTE BESTEMMELSER IFØLGENDE: <ul style="list-style-type: none"> * MASKINDIREKTIV 2006/42/EF * EMC-DIREKTIV 2004/108/EF * DIREKTIV OM STØJEMMISSION 2000/14/EF – 2005/88/EF FÆLLESBETEGNELSE: Plæneklipper bejlet af gaende bruger ANVENDELSE : Græssklipning HANDELSBETEGNELSE d) TYPE SERIENUMMER PRODUKT OG I STAND TIL AT UDARBEJDE DEN TEKNISKE DOKUMENTATION REFERENCE TIL HARMONISEREDE STANDARDER ANDRE STANDARDER ELLER SPECIFIKATIONER DIREKTIV OM STØJEMMISSION FRA MASKINER TIL UDEENDRUM BRUG MÅLT LYDEFFEKTIVEAU GARANTEEDE LYDEFFEKTIVEAU SOVDOMMEFØR OVERENSSTEMMELSESVURDERING BEVANDIGET ORGAN STED DATO 	<p>Ελληνικά (Greek) ΕΚ-ΥΠΟΜΟΝΗ ΣΥΜΜΟΡΦΩΣΗΣ</p> <ol style="list-style-type: none"> Ο κάτωθι υπογεγραμμένος, Hiroki Chubachi, εκπροσωπώντας τον κατασκευαστή, δηλώνει ότι το παρακάτω περιγραφόμενο όχημα πληροί όλες τις σχετικές προδιαγραφές του: <ul style="list-style-type: none"> * Οδηγία 2006/42/ΕΚ για μηχανές * Οδηγία 2004/108/ΕΚ για την ηλεκτρομαγνητική συμβατότητα * Οδηγία 2000/14/ΕΚ – 2005/88/ΕΚ για το επίπεδο θορύβου σε εξωτερικούς χώρους Περιγραφή μηχανήματος Γενική ονομασία: Χλοοκοπτικό ελεγχόμενο από πεζό Αντιστοίχια: για κόψιμο γρασίδιού Εμπορική ονομασία d) Τύπος Αριθμός σειράς παραγωγής Κατασκευαστής και να είναι σε θέση να καταρτίσει τον τεχνικό φάκελο Αναφορά σε εναρμονισμένα πρότυπα Άλλα πρότυπα ή προδιαγραφές Οδηγία επίθεσης θορύβου εξωτερικών χώρων Μετρήσιμος ηχητικός ήχος Εγγυημένη παράμετρος Διαδικασία πιστοποίησης Οργανισμός πιστοποίησης Η δοκιμή έγινε Ημρομηνία 	<p>Română (Romanian) CE-Dichiarare de conformitate</p> <ol style="list-style-type: none"> Suscresorul Hiroki Chubachi, reprezentand producatorul, declara prin prezenta faptul ca echipamentul descris mai jos indeplineste toate conditiile necesare din: <ul style="list-style-type: none"> * Directiva 2006/42/CE privind echipamentul electromagnetic * Directiva 2004/108/CE privind compatibilitatea electromagnetica * Directiva 2000/14/CE – 2005/88/CE privind poluarea fonica in spatiu deschis Descrierea echipamentului <ol style="list-style-type: none"> Denumire generica : Masina de tuns gazon cu utilizator in picioare Denumire de utilizare : tundera terbi Denumire comerciala Tip Serie produs Producator si abilitat sa realizeze documentatia tehnica Referinta la standardele armonizate Alte standarde sau norme Directiva privind poluarea fonica in spatiu inchis Puterea acustica masurata Indice poluare fonica Procedura de evaluare a conformitatii Notificat Data 	<p>Svenska (Swedish) EG-förklaring om överensstämmelse</p> <ol style="list-style-type: none"> Undertegnad, Hiroki Chubachi, representant för tillverkaren, deklarerar härmed att maskinen beskriven nedan fullföljer alla relevanta bestämmelser enligt: <ul style="list-style-type: none"> * Direktiv 2006/42/EG gällande maskiner * Direktiv 2004/108/EG gällande elektromagnetisk kompatibilitet * Direktiv 2000/14/EG – 2005/88/EG gällande buller utomhus Maskinbeskrivning <ol style="list-style-type: none"> Allmän benämning : Gä bakom gräsklippare Funktion : gräsklippning Och varumamn Typ Serienummer Tillverkare och ska kunna sammanställa teknisk dokumentation. referens till överensstämmelse standarder Andra standarder eller specifikationer Direktiv för buller utomhus <ol style="list-style-type: none"> Uppmätt ljudnivå Garanterad ljudnivå Buller parameter Förärande för bedömning Ansvalda organ Utfärdat vid Datum 	<p>Spanish (Spanish) Declaración CE de Conformidad CE</p> <ol style="list-style-type: none"> El firmante, Hiroki Chubachi, en representación del fabricante, adjunto declara que la máquina abajo descrita, cumple las cláusulas relevantes de: <ul style="list-style-type: none"> * Directiva 2006/42/CE de maquinaria * Directiva 2004/108/CE de compatibilidad electromagnética * Directiva 2000/14/CE – 2005/88/CE de ruido exterior Descripción de la máquina <ol style="list-style-type: none"> Denominación genérica : Cortacésped de mano Función : Cortar el césped Denominación comercial Tip Numero de serie Fabricante que puede compliar el expediente técnico Referencia de los estándar armonizados Otros estándar o especificaciones Directiva sobre ruido exterior Potencia sonora medida Parámetros ruido Procedimiento evaluación conformidad Organismo notificado Realizado en Fecha 8. Fecha

